

NVV71000/NVVX1000 VHF/DAB Dipole

VHF
Band III TV
DAB / DAB+

Operative Frequency
174 - 240 MHz

Input: EIA 7/8"
DIN 7-16 F

MAIN FEATURES

Product code: NVV71000 (EIA 7/8") / NVVX1000 (DIN 7-16 F)

Electrical characteristics

Frequency Range	174 - 240 MHz
Input impedance	50 OHM
Polarization	Vertical/Horizontal
Gain	2 dBd (@ 200 MHz)
VSWR	<1.25
Max input Power NVV71000	3 kW
Max input Power NVVX1000	2 kW

all metal parts are ground connected

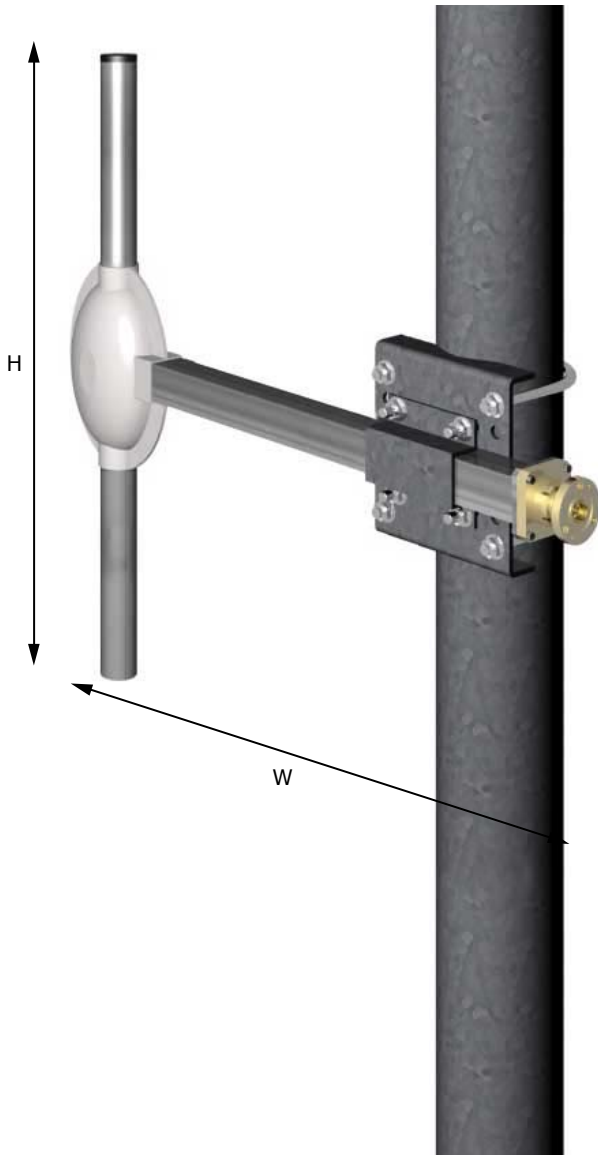
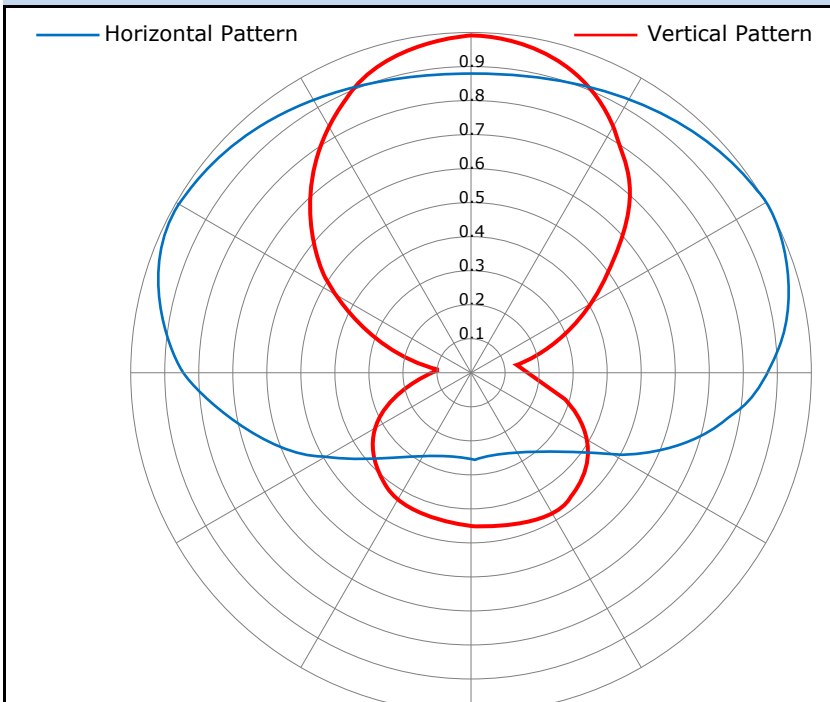
Mechanical characteristics

Input Connector NVV71000	EIA 7/8"
Input Connector NVVX1000	DIN 7-16 F
Weight/Mass	73.6 N (7.5 Kg 16.5 lbs)
Wind loads (wind=150 Kph)	130 N
Max Wind (survival)	220 Kph
Operating temperature	-50°C to +70°C
Mounting:	Pole Brackets Ø 60-114 pole

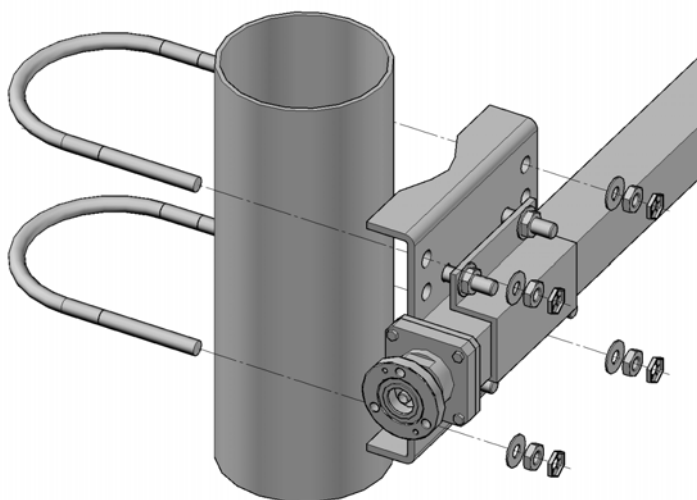
Materials

External parts/Dipoles	Stainless Steel
Clamps	Hot dip galvanized steel
Internal Lines	Silver Plated Brass/Alu
Hardware	Stainless Steel
Radome	Fiberglass (White)

E/EM Radiation Patterns (Vertical Polarization)



H: 671 mm [26.4] W:675 mm [26.6"]



Pole Clamp included

I dati contenuti nel presente datasheet possono variare senza preavviso
Data on this datasheet can vary without previous notice

06/21