

## PFV72000 FM 2 Dipoles Panel

Band FM

Operative Frequency  
87.5 - 108 MHz

Input: 7/8" EIA

### MAIN FEATURES

Product Code: PFV72000 (EIA 7/8")

#### Electrical characteristics

Frequency Range	87.5 - 108 MHz
Input impedance	50 OHM
Polarization	Vertical/Horizontal
Gain	7.5 dBd
VSWR	<1.15
Max input Power	5.0 kW

all metal parts are ground connected

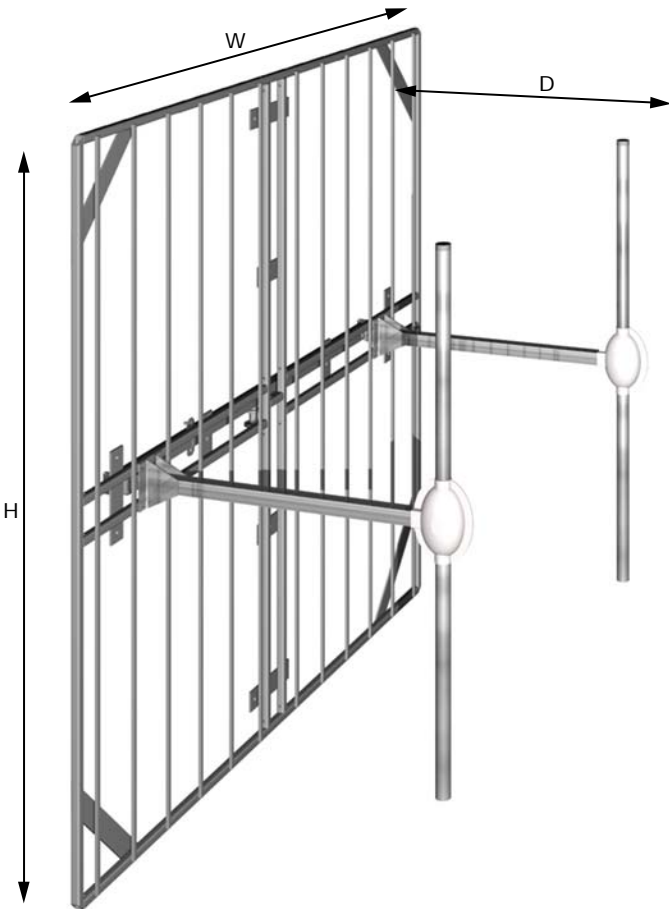
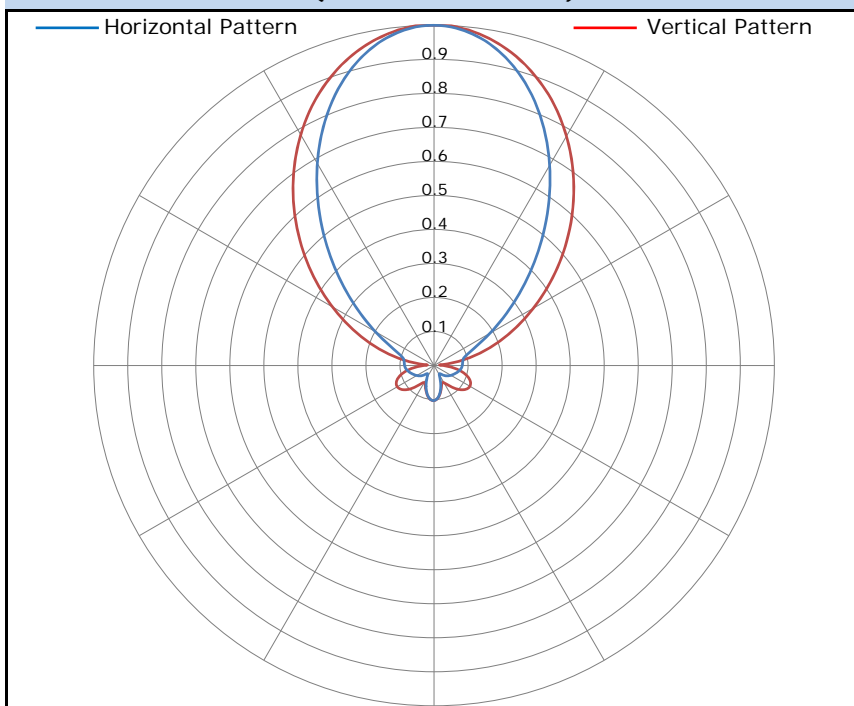
#### Mechanical characteristics

Input Connector PFV72000	EIA 7/8"
Weight/Mass	607.6 N (62 Kg   136 lbs)
Wind loads (wind=160 Kph)	1650 N (Front thrust) 1300 N (Side thrust)
Max Wind (survival)	200 Kph
Operating temperature	-50°C to +70°C
Pressurization	100 KPa (1 Atm)
Mounting:	Typical: Tower Face Mount (custom brackets on request)

#### Materials

External parts	Hot dip galvanized steel
Dipoles	Inox Steel
Internal Lines	Silver Plated Alu/Brass
Hardware	Inox Steel AISI304
Ice Protection	Fiberglass

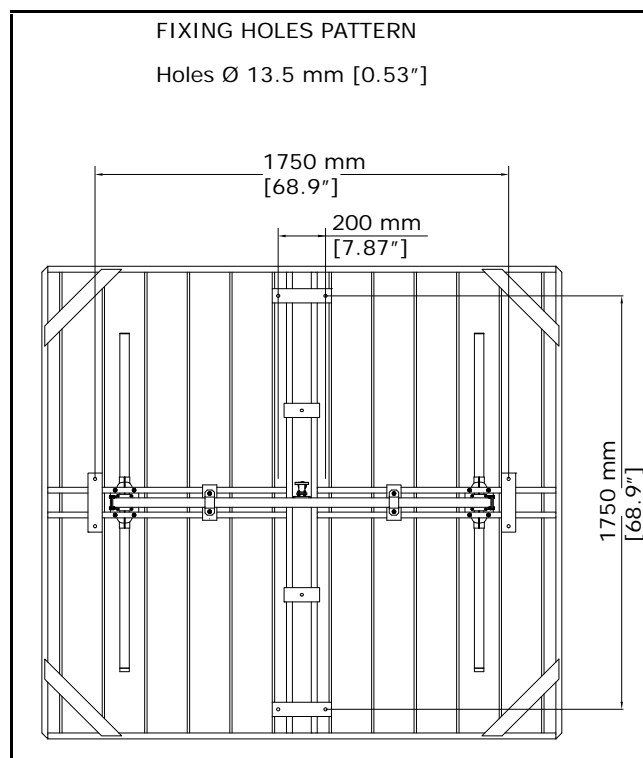
#### E/EM Radiation Patterns (Vertical Polarization)



H: 2000 mm [78.7"] W: 2200mm [86.6"] D: 980 [38.6"]

#### FIXING HOLES PATTERN

Holes  $\varnothing$  13.5 mm [0.53"]

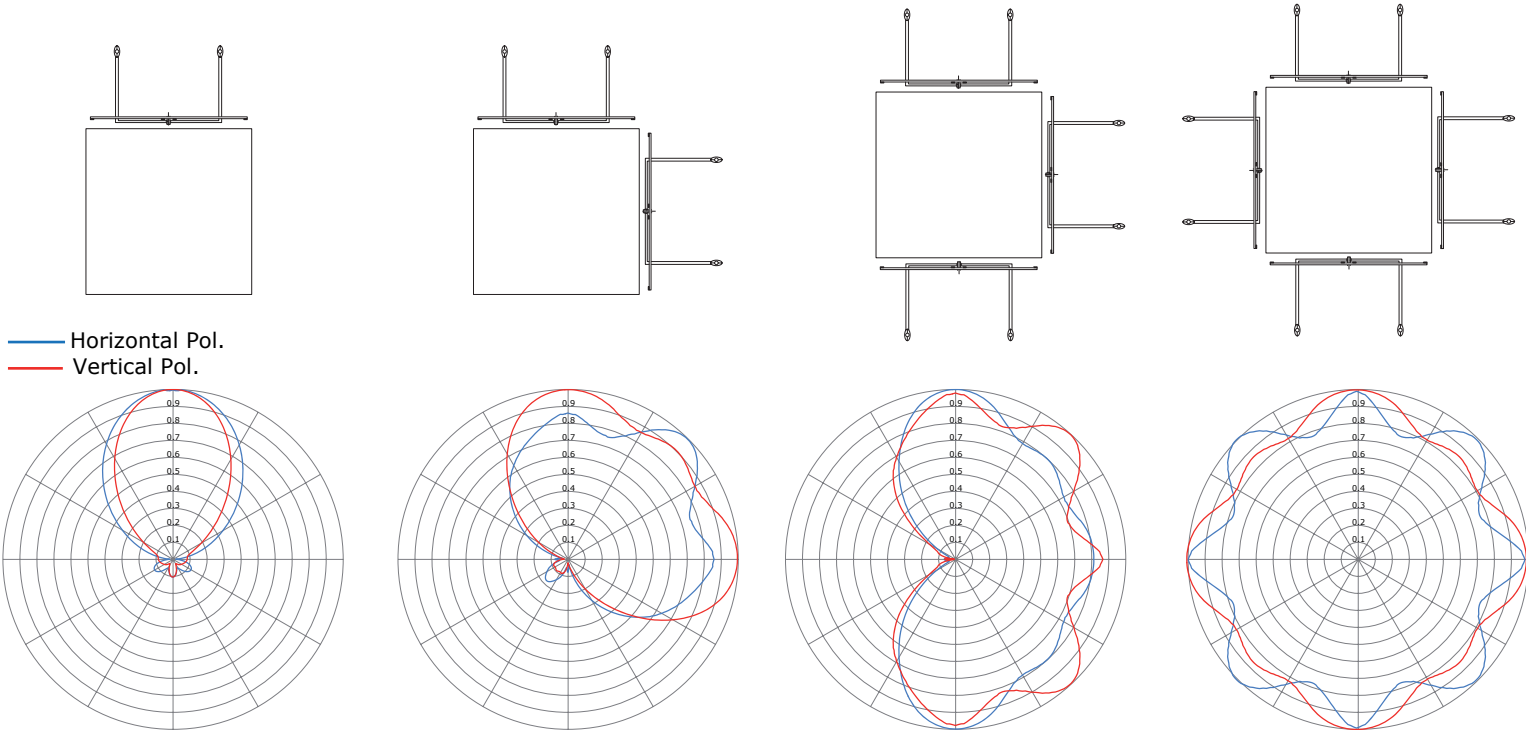


I dati contenuti nel presente datasheet possono variare senza preavviso  
Data on this datasheet can vary without previous notice

06/21

# PFV72000 FM 2 Dipoles Panel - Typical Antenna Systems Patterns

## Arrays Data Table



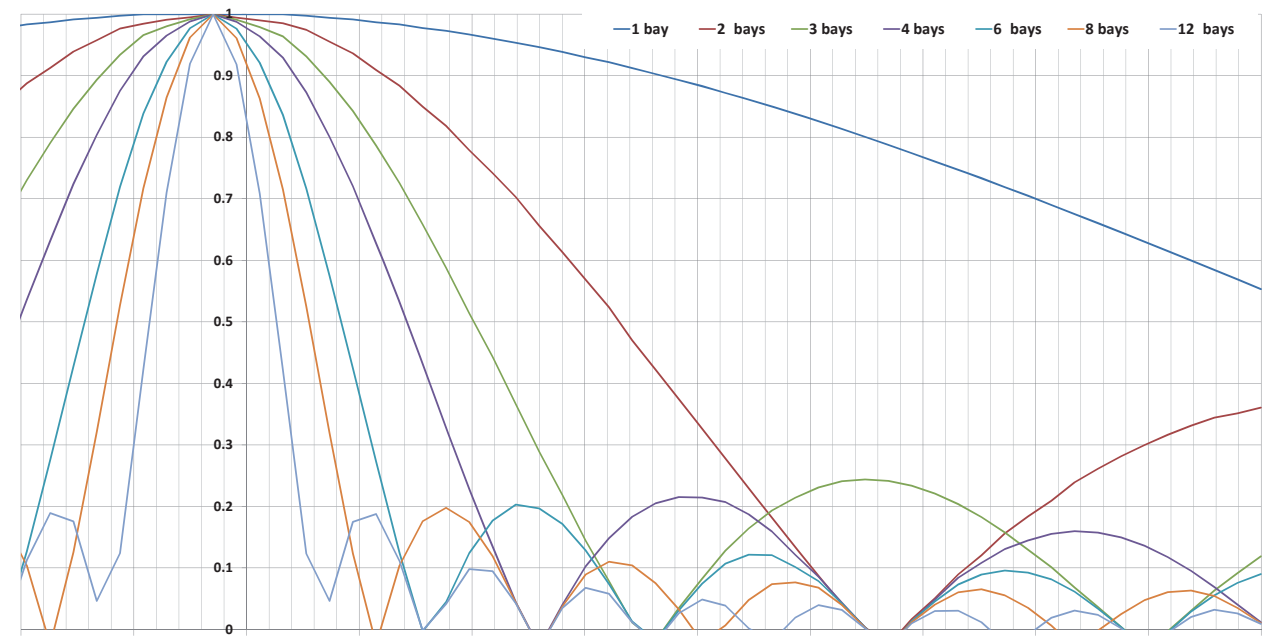
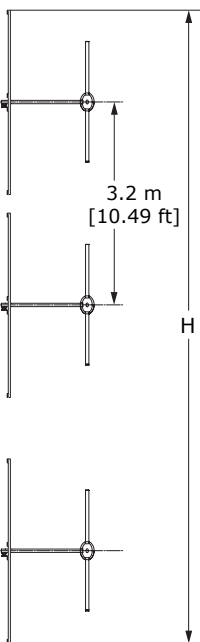
Bays	Gain dBd	Height (H) m	Weight kg
1	7.5	2.2	62
2	10.5	5.4	124
3	12.3	8.6	186
4	13.5	11.8	248
6	15.3	18.2	372
8	16.5	24.6	496
12	18.3	37.4	744

Bays	Gain dBd Hpol.(Vpol.)	Height (H) m	Weight kg
1	5.2 (5)	2.2	124
2	8.2 (8)	5.4	248
3	10 (9.8)	8.6	372
4	11.2 (11)	11.8	496
6	13 (12.8)	18.2	744
8	14.2 (14)	24.6	992
12	16.2 (16)	37.4	1488

Bays	Gain dBd Hpol.(Vpol.)	Height (H) m	Weight kg
1	3.6 (3.2)	2.2	186
2	6.6 (6.2)	5.4	372
3	8.4 (8)	8.6	558
4	9.6 (9.2)	11.8	744
6	11.4 (11)	18.2	1116
8	12.6 (12.2)	24.6	1488
12	14.5 (14.1)	37.4	2232

Bays	Gain dBd Hpol.(Vpol.)	Height (H) m	Weight kg
1	2.2 (2)	2.2	248
2	5.2 (5)	5.4	496
3	7 (6.8)	8.6	744
4	8.2 (8)	11.8	992
6	10 (9.8)	18.2	1488
8	11.2 (11)	24.6	1984
12	13.1 (12.9)	37.4	2976

## E/EM Vertical Radiation Patterns



I dati contenuti nel presente datasheet possono variare senza preavviso  
Data on this datasheet can vary without previous notice

06/21