

YVV75002 VHF & DAB 5 Elements Yagi

VHF
Band III TV
DAB / DAB+

Operative Frequency
190-240 MHz

Input Size:
EIA 7/8"

ELECTRICAL CHARACTERISTICS

Frequency Range	190 - 240 MHz
Input impedance	50 OHM
Polarization (depends on mounting)	Vertical/Horizontal
Gain	6 dBd (@ 200 MHz)
VSWR	<1.22
Max input Power	3.0 kW

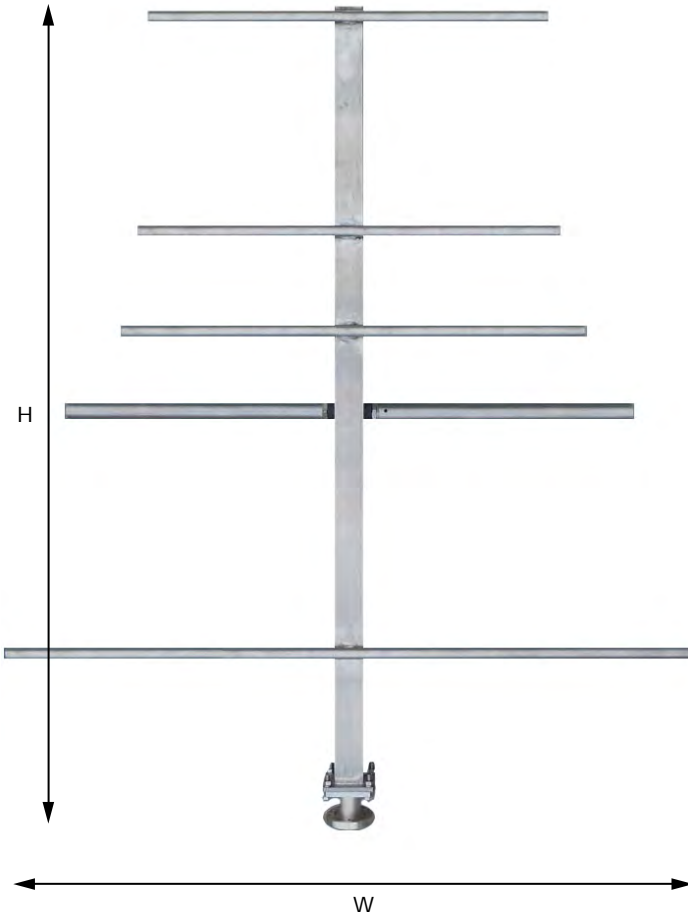
all metal parts are ground connected

MECHANICAL CHARACTERISTICS

Input Connector	EIA 7/8"
Weight/Mass	50 N (5.1 Kg 11.2 lbs)
Wind loads (wind=160 Kph)	130 N (Front Thrust); 335 N (Side T.)
Max Wind (survival)	200 Kph
Operating temperature	-50°C to +70°C
Pressurization	100 KPa (1 Atm)
Mounting:	Pole Ø 50-114 pole

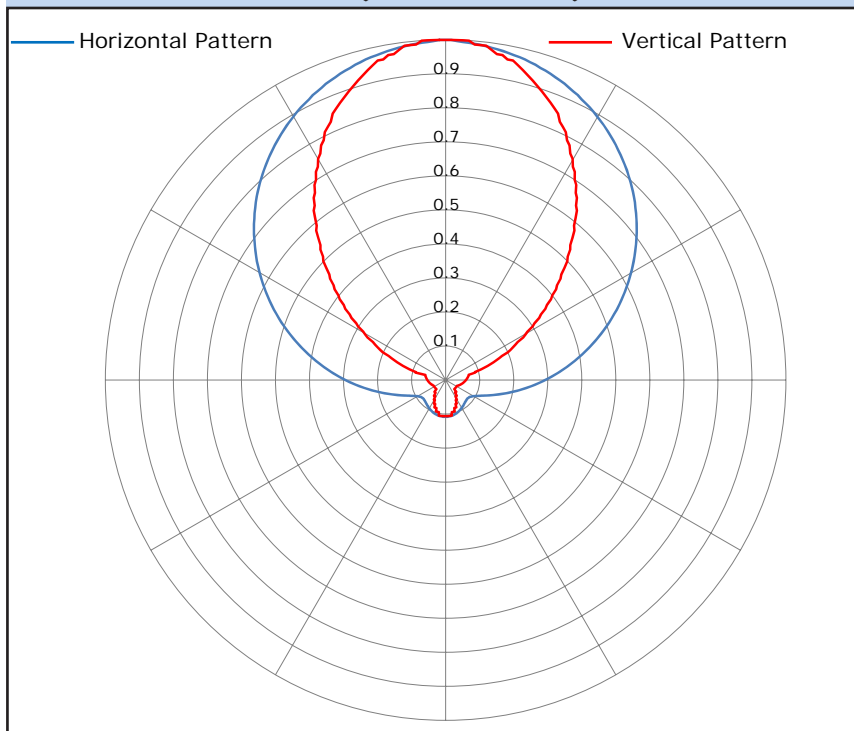
Materials

External parts/Brackets	Stainless Steel
Internal Lines/ Dipoles	Silver Plated Alu/Brass
Hardware	Stainless Steel



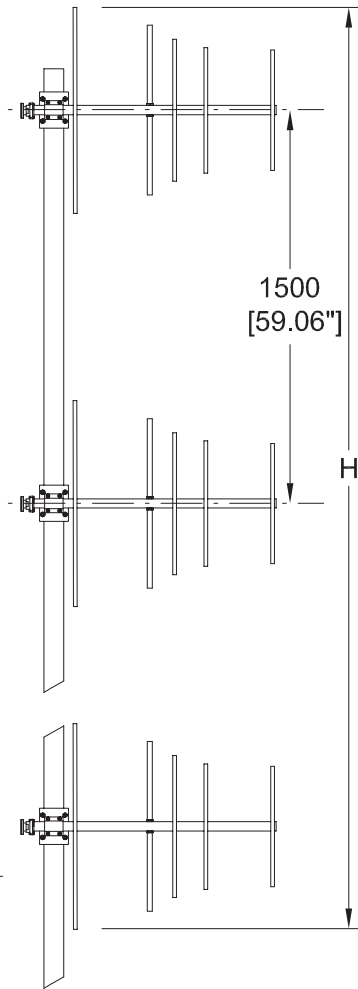
H: 975 mm [38.4"] W: 785 mm [30.9"]

RADIATION PATTERNS (VERTICAL POL.)

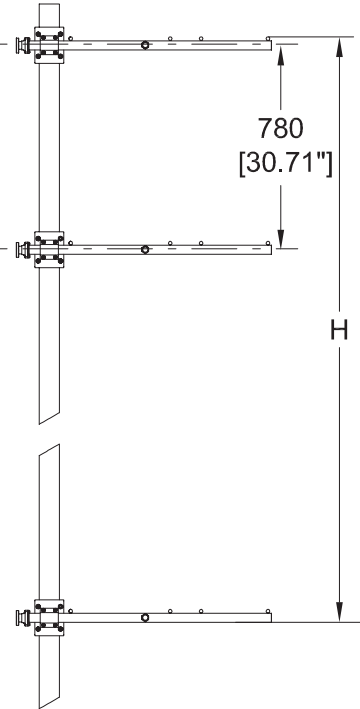


YVV75002 VHF & DAB 5 Elements Yagi- Typical Antenna Systems Patterns

Vertical Pol.



Horizontal Pol.



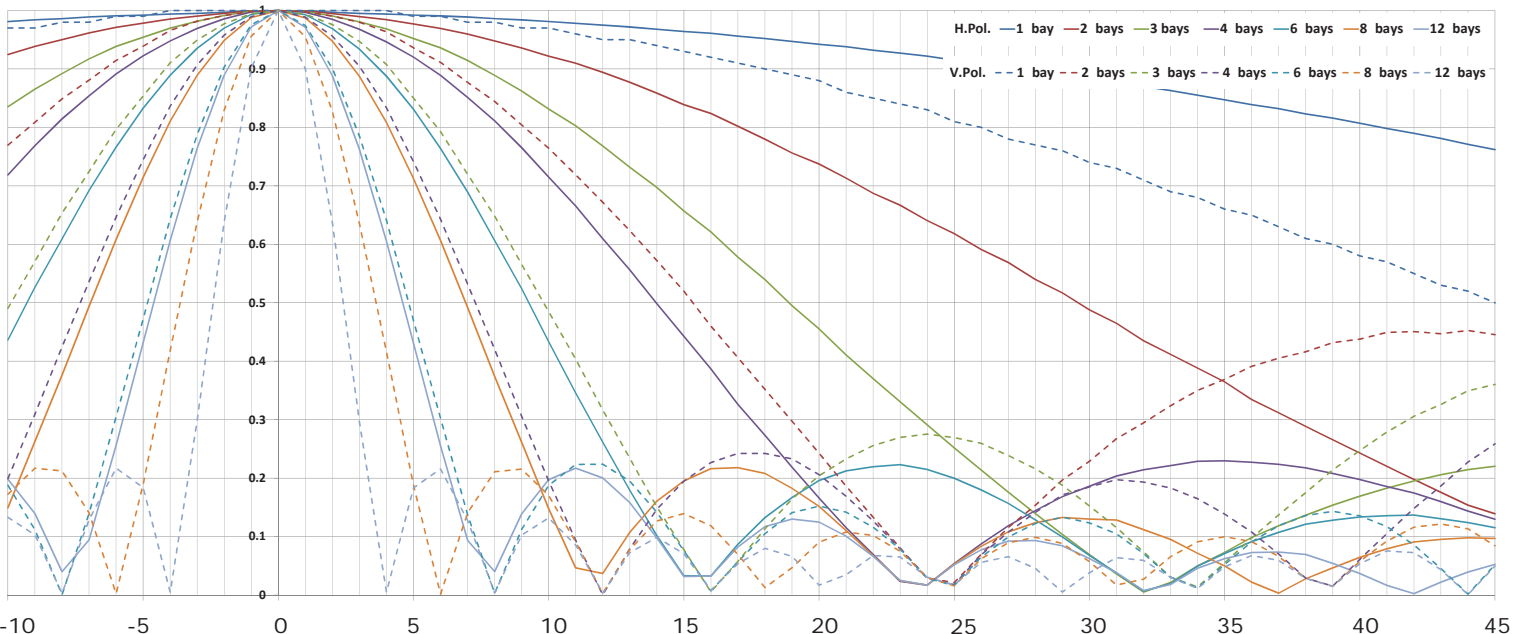
Arrays Data Table

Horizontal Pol.			
Bays (Nr)	Gain (dBd)	Height (m/ft)	Weight (kg/lbs)*
1	6	0.05 (0.2)	5.7 (12.6)
2	9	0.83 (2.7)	11.4 (25.1)
3	10.8	1.61 (5.3)	17.1 (37.7)
4	12	2.39 (7.8)	22.8 (50.3)
6	13.8	3.95 (13)	34.2 (75.4)
8	15	5.51 (18.1)	45.6 (100.5)
12	16.8	8.63 (28.3)	68.4 (150.8)

Vertical Pol.			
Bays (Nr)	Gain (dBd)	Height (m/ft)	Weight (kg/lbs)*
1	6	0.785 (2.6)	5.1 (11.2)
2	9	2.285 (7.5)	10.2 (22.5)
3	10.8	3.785 (12.4)	15.3 (33.7)
4	12	5.285 (17.3)	20.4 (45)
6	13.8	8.285 (27.2)	30.6 (67.5)
8	15	11.285 (37)	40.8 (89.9)
12	16.8	17.285 (56.7)	61.2 (134.9)

*Supporting Pole, Cables, Power Dividers NOT considered

E/EM Vertical Radiation Patterns



I dati contenuti nel presente datasheet possono variare senza preavviso
Data on this datasheet can vary without previous notice