

YFV74002 FM 4 ELEMENTS YAGI

Band FM

Operative Frequency
87.5 - 108 MHz

Input: 7/8" EIA

MAIN FEATURES

Product code: YFV74002

Electrical characteristics

Frequency Range	87.5 - 108 MHz
Input impedance	50 OHM
Polarization	Vertical/Horizontal
Gain	5.1 dBd (@ 98 MHz)
VSWR	< 1.3
Max input Power	5.0 kW

all metal parts are ground connected

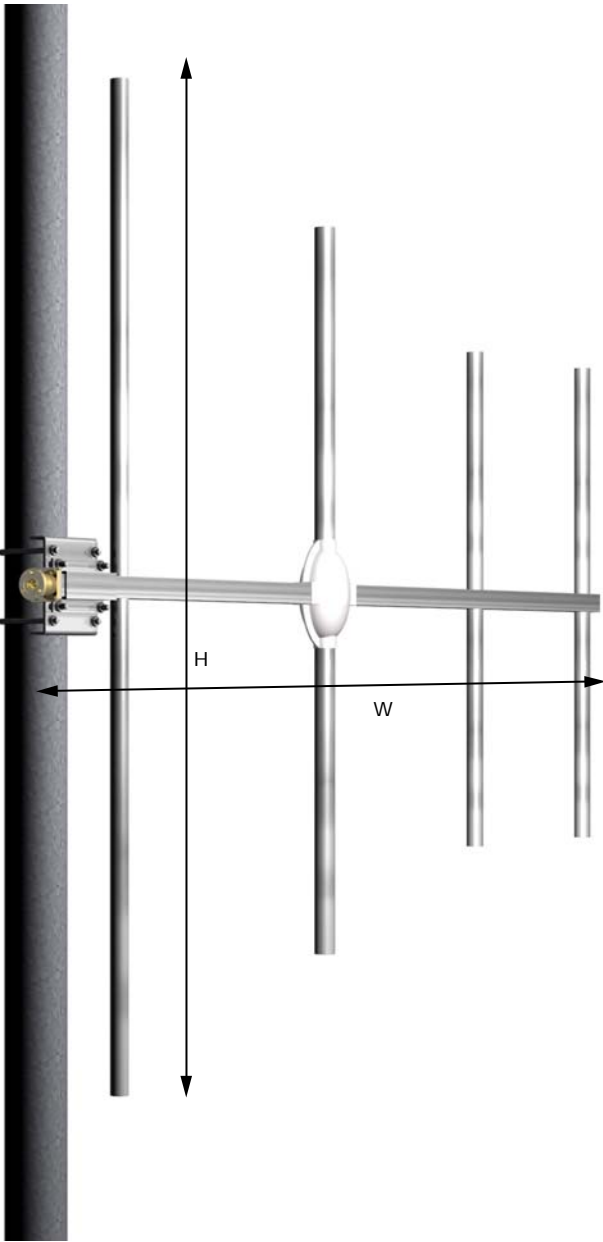
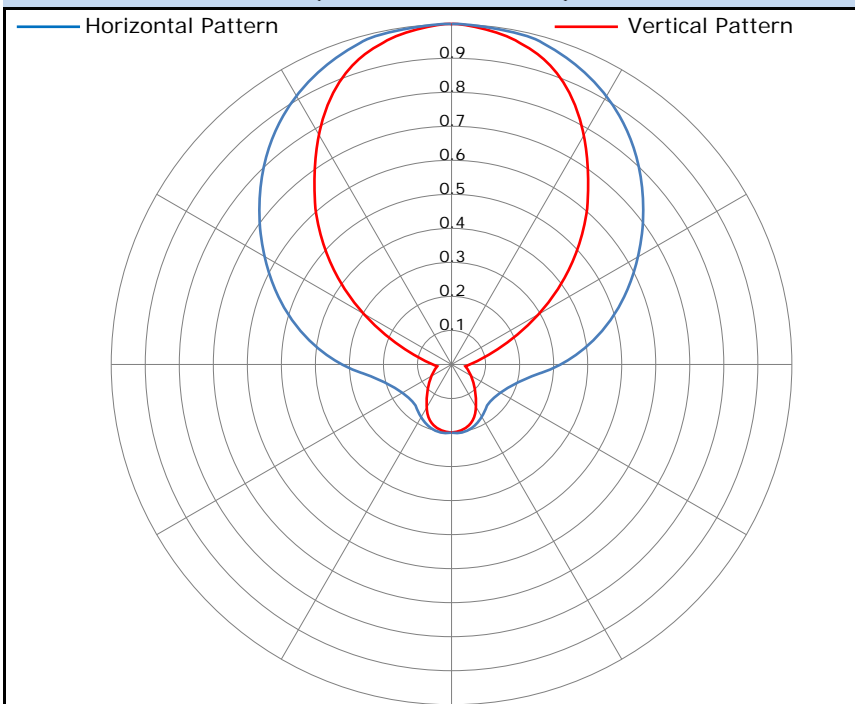
Mechanical characteristics

Input Connector	EIA 7/8"
Weight/Mass	127.4 N (13 Kg 28.6 lbs)
Wind loads (wind=160 Kph)	195 N (Front thrust) 290 N (Side thrust)
Max Wind (survival)	200 Kph
Operating temperature	-50°C to +70°C
Pressurization	100 KPa (1 Atm)
Mounting:	Pole Brackets Ø 60-114 pole

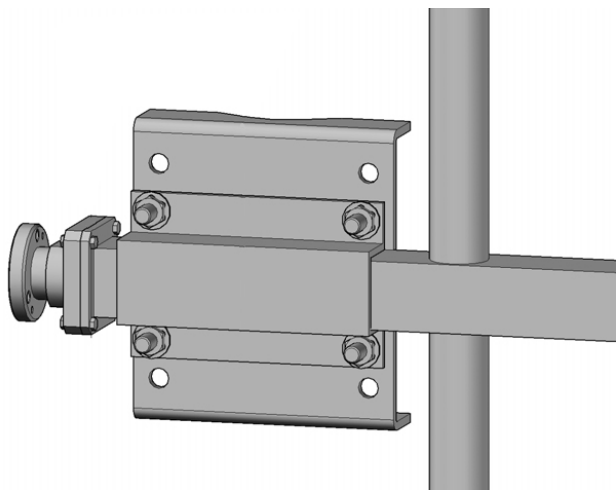
Materials

External parts/Dipoles	Stainless Steel
Brackets	Hot dip galvanized steel
Internal Lines	Silver Plated Alu/Brass
Hardware	Stainless Steel
Radome	Fiberglass

E/EM Radiation Patterns (Vertical Polarization)



H: 1880 mm [74"] W: 2013 [79"]



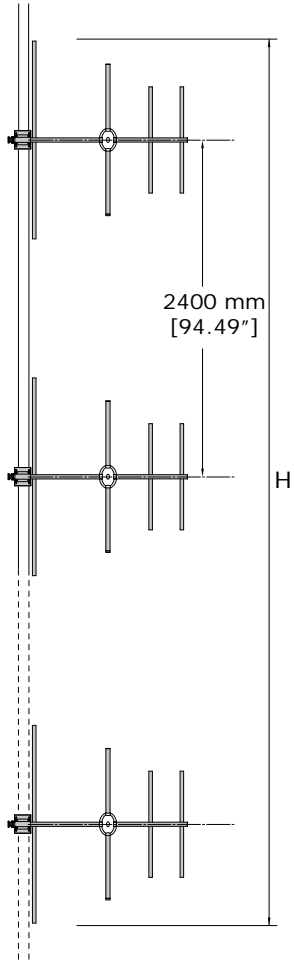
Yagi Pole Clamp (Included)

I dati contenuti nel presente datasheet possono variare senza preavviso
Data on this datasheet can vary without previous notice

03/21

YFV74002 FM Yagis Arrays

Arrays of FM Dipoles



Bays (Nr)	Gain (dBd)	Height (m/ft)	Weight (kg/lbs)*
1	5.1	1.88 (6.17)	13 (28.6)
2	8.1	4.28 (14.04)	26 (57.2)
3	9.8	6.68 (21.92)	39 (85.8)
4	11.1	9.08 (29.79)	52 (114.4)
6	12.8	13.88 (45.54)	78 (171.6)
8	14.1	18.68 (61.29)	104 (228.8)
12	15.8	28.28 (92.78)	156 (343.2)

* Pole, Power dividers, cables NOT considered

E/EM Vertical Radiation Patterns (Vertical Pol.)

