

## YFV73002/YFV13002 FM 3 ELEMENTS YAGI

Band FM

Operative Frequency  
87.5 - 108 MHz

Input: 7/8" EIA  
1-5/8" EIA

### MAIN FEATURES

Product code: YFV73002 (EIA 7/8") / YFV13002 (EIA 1-5/8")

#### Electrical characteristics

Frequency Range	87.5 - 108 MHz
Input impedance	50 OHM
Polarization	Vertical/Horizontal
Gain	4.5 dBd (@ 98 MHz)
VSWR	<1.25
Max input Power YFV73002	5.0 kW
Max input Power YFV13002	10.0 kW

all metal parts are ground connected

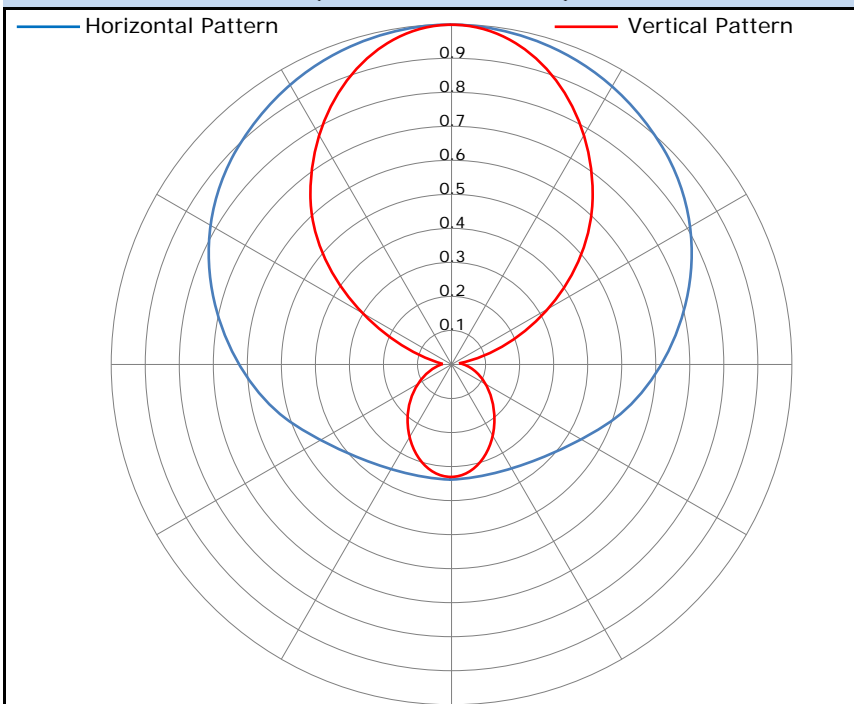
#### Mechanical characteristics

Input Connector YFV73002	EIA 7/8"
Input Connector YFV13002	EIA 1-5/8"
Weight/Mass	117.6 N (12 Kg   26.5 lbs)
Wind loads (wind=160 Kph)	142 N (Front thrust) 221 N (Side thrust)
Max Wind (survival)	200 Kph
Operating temperature	-50°C to +70°C
Pressurization	100 KPa (1 Atm)
Mounting:	Pole Brackets Ø 60-114 pole

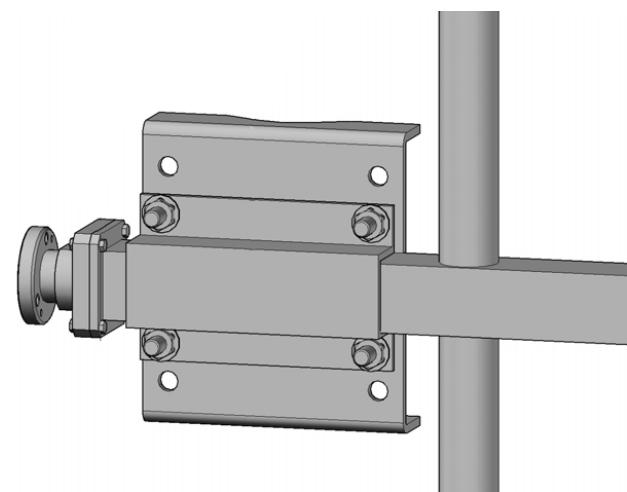
#### Materials

External parts/Dipoles	Stainless Steel
Brackets	Hot dip galvanized steel
Internal Lines	Silver Plated Alu/Brass
Hardware	Stainless Steel
Radome	Fiberglass

#### E/EM Radiation Patterns (Vertical Polarization)



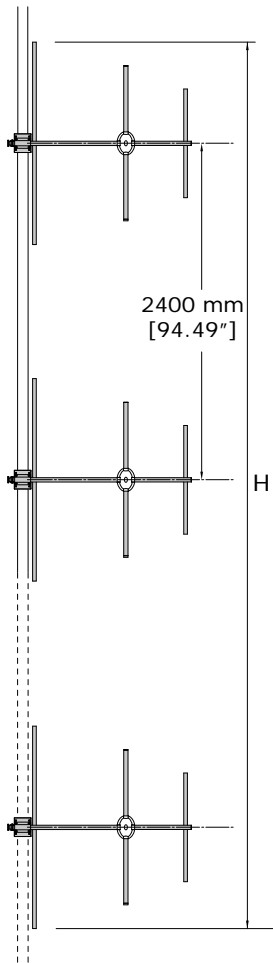
H: 1900 mm [74.8"] W: Conn. 7/8" 1722 mm [67.8"]  
W: Conn. 1-5/8" 1734 mm [68.3"]



Yagi Pole Clamp (Included)

## YFV73000-YFV13000 FM Yagis Arrays

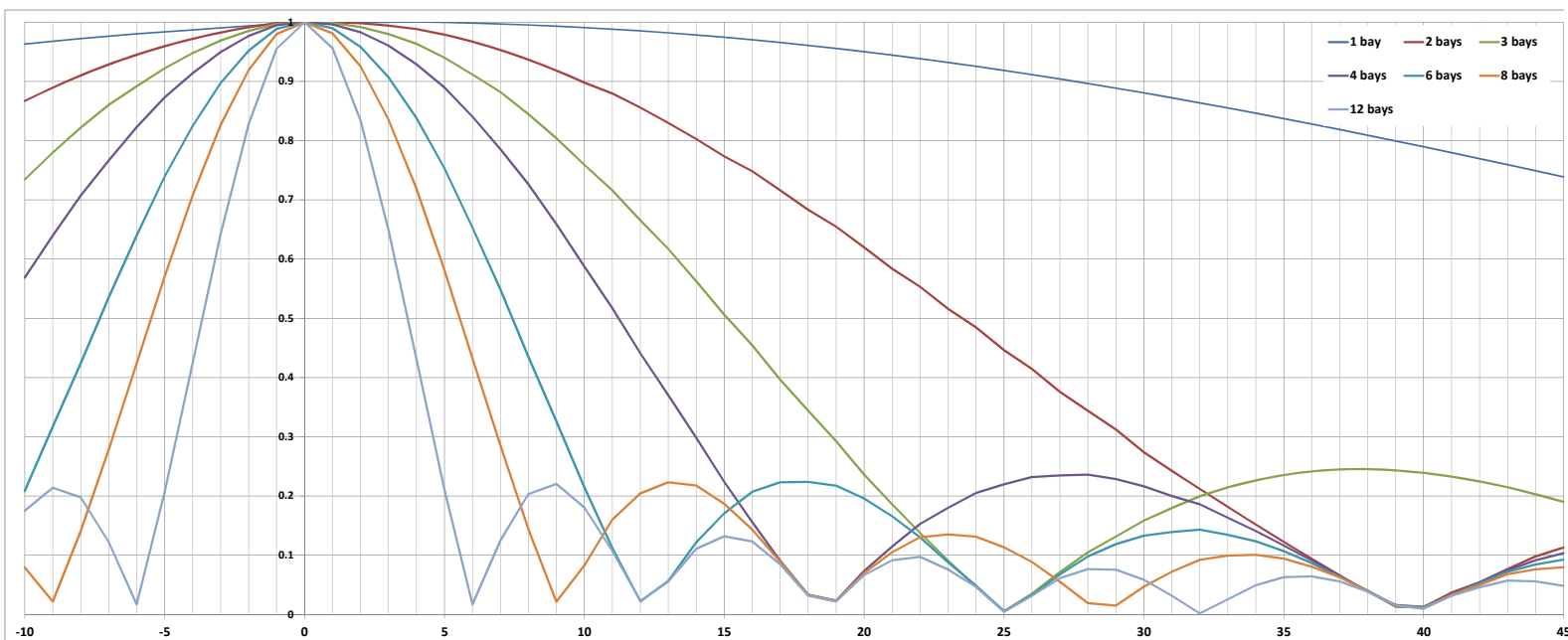
Arrays of FM Dipoles w/ reflector



Bays (Nr)	Gain (dBd)	Height (m/ft)	Weight (kg/lbs)*
1	4.5	1.9 (6.23)	12 (26.4)
2	7.5	4.3 (14.11)	24 (52.8)
3	9.2	6.7 (21.98)	36 (79.2)
4	10.5	9.1 (29.86)	48 (105.6)
6	12.2	13.9 (45.6)	72 (158.4)
8	13.5	18.7 (61.35)	96 (211.2)
12	15.2	28.3 (92.85)	144 (316.8)

\* Pole, Power dividers, cables NOT considered

### E/EM Vertical Radiation Patterns (Vertical Polarization)



I dati contenuti nel presente datasheet possono variare senza preavviso  
Data on this datasheet can vary without previous notice

06/21