

YFV72000-YFV12000 FM Dipole W/reflector

Band FM

Operative Frequency
87.5 - 108 MHz

Input: 7/8" EIA
1-5/8" EIA

MAIN FEATURES

code: YFV72000 (7/8" EIA Input) - YFV12000 (1-5/8" EIA Input)

Electrical characteristics

Frequency Range	87.5 - 108 MHz
Input impedance	50 OHM
Polarization	Vertical/Horizontal
Gain	2.65 dBd (@ 100 MHz)
VSWR	<1.25 (Typical)
Max input Power YFV72000	5.0 kW
Max input Power YFV12000	10.0 kW

all metal parts are ground connected

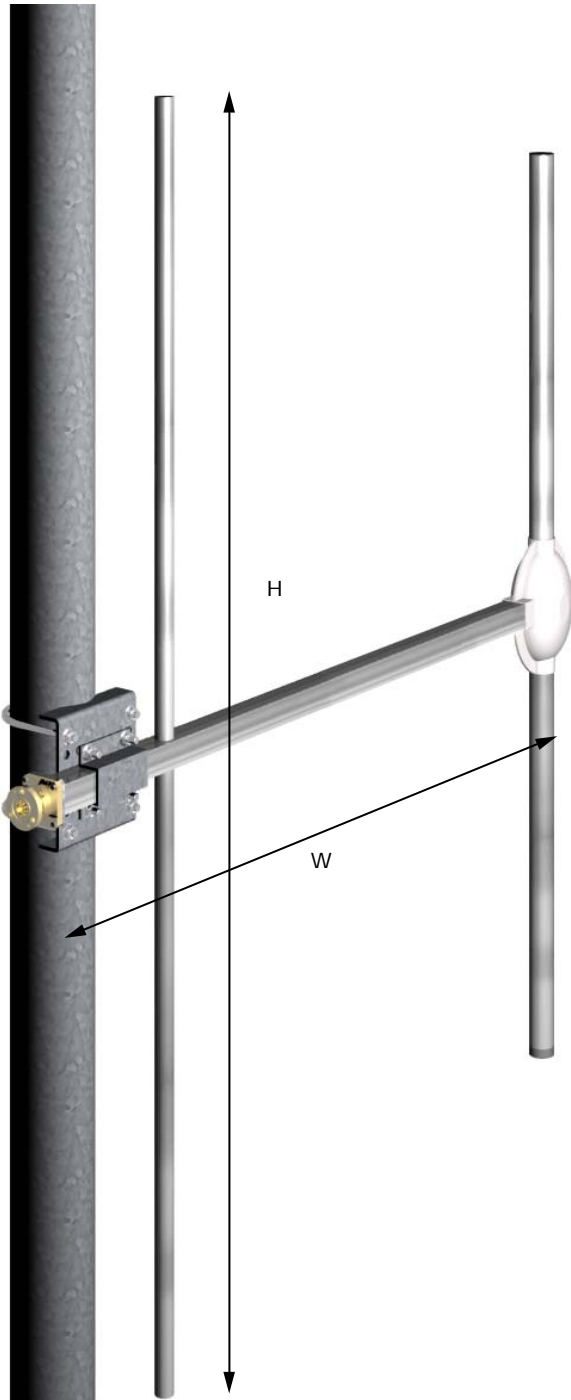
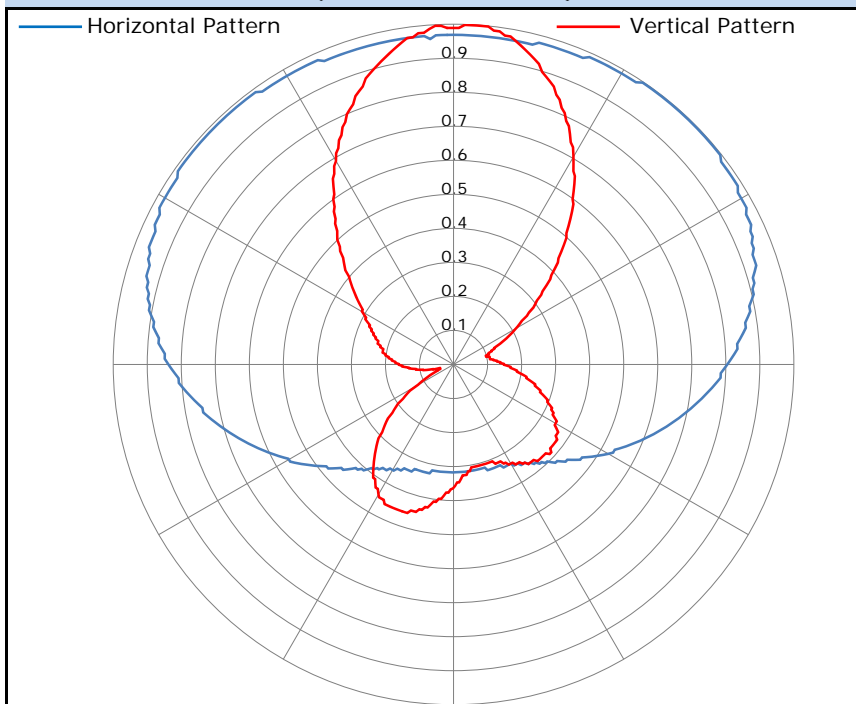
Mechanical characteristics

Input Connector YFV72000	EIA 7/8" Rear
YFV12000	EIA 1-5/8" Rear
Weight/Mass	102.9 N (10.5 Kg 23.1 lbs)
Wind loads (wind=160 Kph)	147 N (Front thrust) 230 N (Side thrust)
Max Wind (survival)	220 Kph
Operating temperature	-50°C to +70°C
Pressurization	100 KPa (1 Atm)
Mounting:	Brackets for Ø 60-114 pole

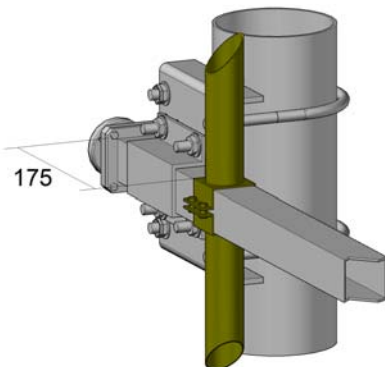
Materials

External parts/Dipoles	Stainless Steel
Brackets	Hot dip galvanized steel
Internal Lines	Silver Plated Alu/Brass
Hardware	Stainless Steel
Radome	Fiberglass

E/EM Radiation Patterns (Vertical Polarization)



H: 2150 mm [84.6"] W: 1110 mm [43.7"]



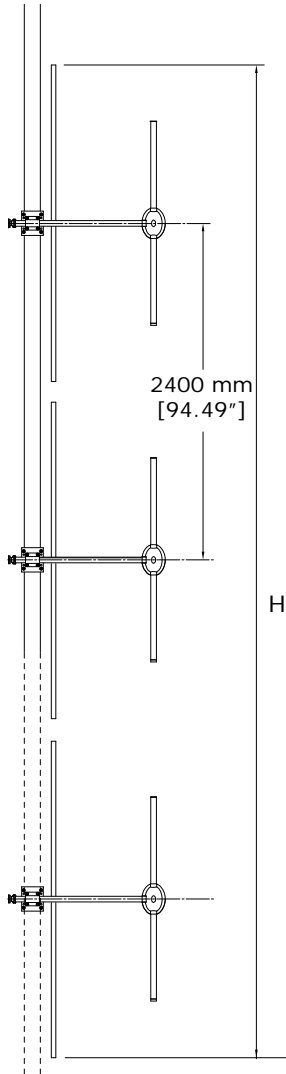
Pole Clamp & removable reflector

I dati contenuti nel presente datasheet possono variare senza preavviso
Data on this datasheet can vary without previous notice

06/21

YFV72000-YFV12000 FM Dipoles Arrays

Arrays of FM Dipoles w/ reflector



Bays (Nr)	Gain (dBd)	Height (m/ft)	Weight (kg/lbs)*
1	2.65	2.15 (7.05)	10.5 (23.1)
2	5.65	4.55 (14.93)	21 (46.2)
3	7.35	6.95 (22.8)	31.5 (69.3)
4	8.65	9.35 (30.68)	42 (92.4)
6	10.35	14.15 (46.42)	63 (138.6)
8	11.65	18.95 (62.17)	84 (184.8)
12	13.35	28.55 (93.67)	126 (277.2)

* Pole, Power dividers, cables NOT considered

E/EM Vertical Radiation Patterns

