

NFV71001-1 / NFVX1001-1 FM Dipole

Band FM

Operative Frequency
87.5 - 108 MHz

Input: 7/8" EIA
Input: 7-16 DIN

MAIN FEATURES

Product code: NFV71001-1

Electrical characteristics

Frequency Range	87.5 - 108 MHz
Input impedance	50 OHM
Polarization	Vertical
Gain	2 dBd (@ 98 MHz)
VSWR	<1.25
Max input Power NFV71001-1 (7/8")	5 kW
NFVX1001-1 (7-16)	3 kW

all metal parts are ground connected

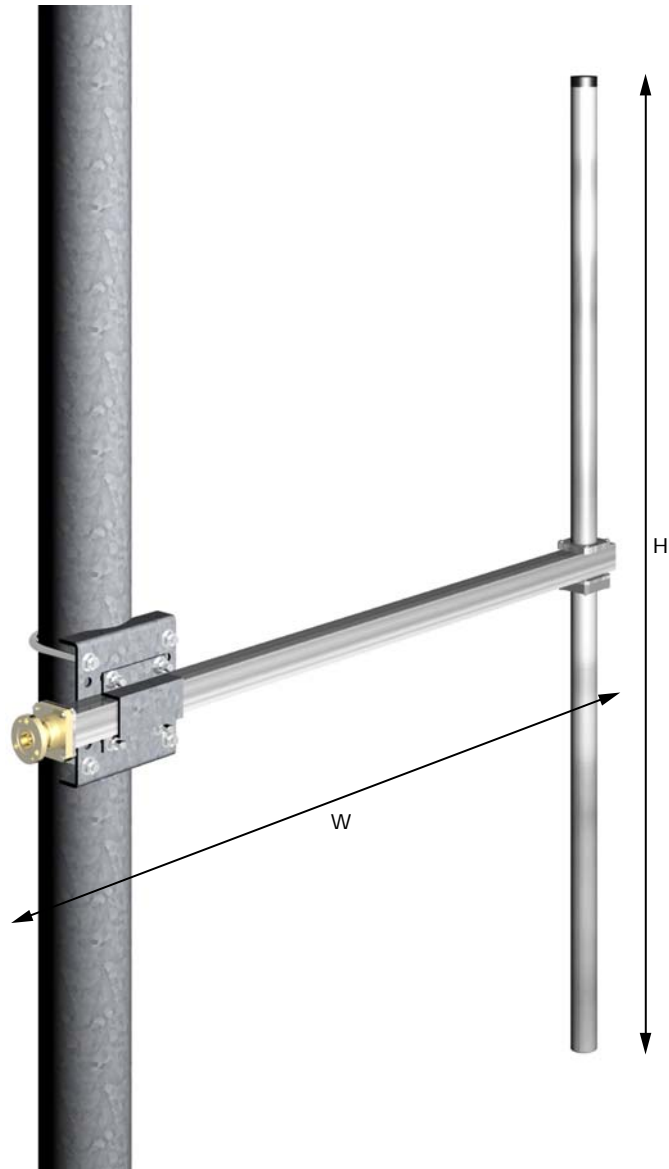
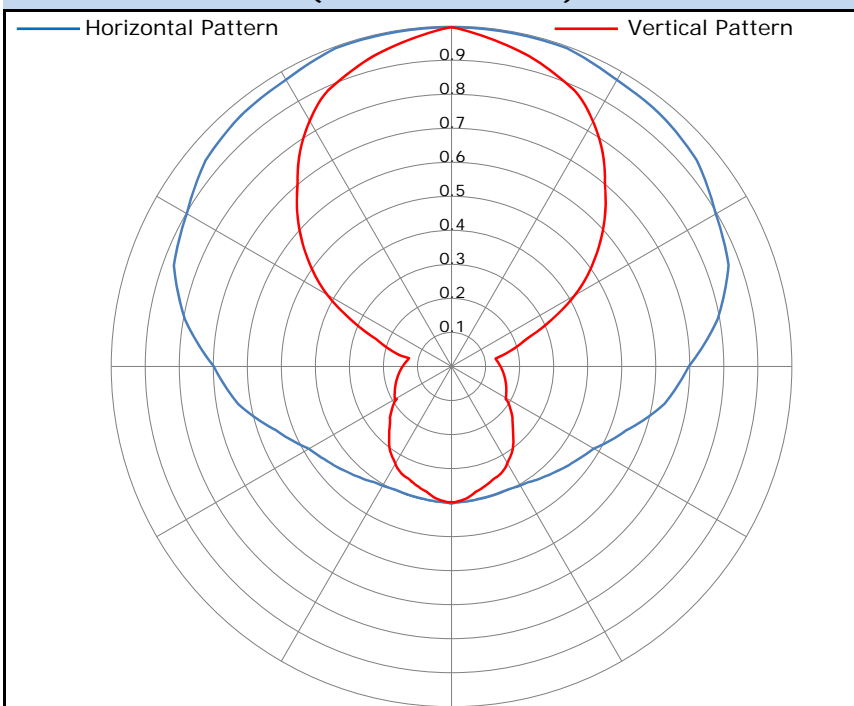
Mechanical characteristics

Input Connector	EIA 7/8" 7-16 DIN Female
Weight/Mass NFV71001	83.4 N (8.5 Kg 18.7 lbs))
Wind loads (wind=160 Kph)	110 N (Front thrust) 160 N (Side thrust)
Max Wind (survival)	220 Kph
Operating temperature	-50°C to +70°C
Pressurization	100 KPa (1 Atm)
Mounting:	Pole Brackets Ø 60-114 pole

Materials

External parts/Dipoles	Stainless Steel
Brackets	Hot dip galvanized steel
Internal Lines	Silver Plated Alu/Brass
Hardware	Stainless Steel
Radome	Fiberglass

E/EM Radiation Patterns (Vertical Polarization)



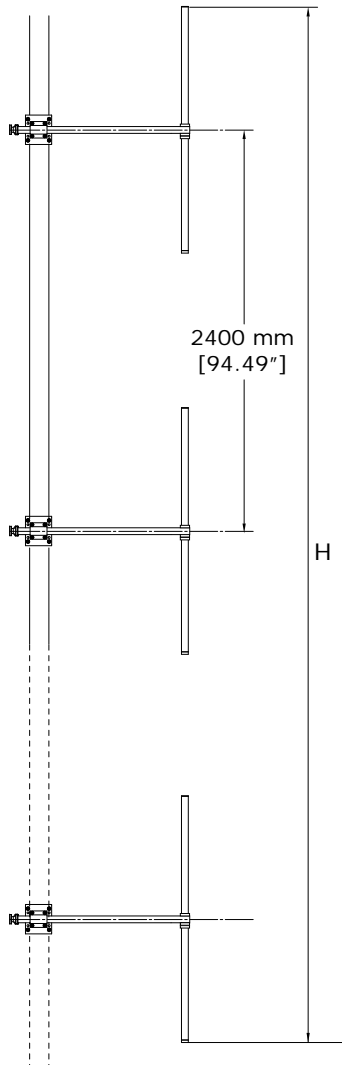
H: 1450 mm [57.1"] W: 1110 mm [43.7"]



Pole Clamp included

I dati contenuti nel presente datasheet possono variare senza preavviso
Data on this datasheet can vary without previous notice

NFV71001-1/NFVX1001-1 FM Dipoles Arrays

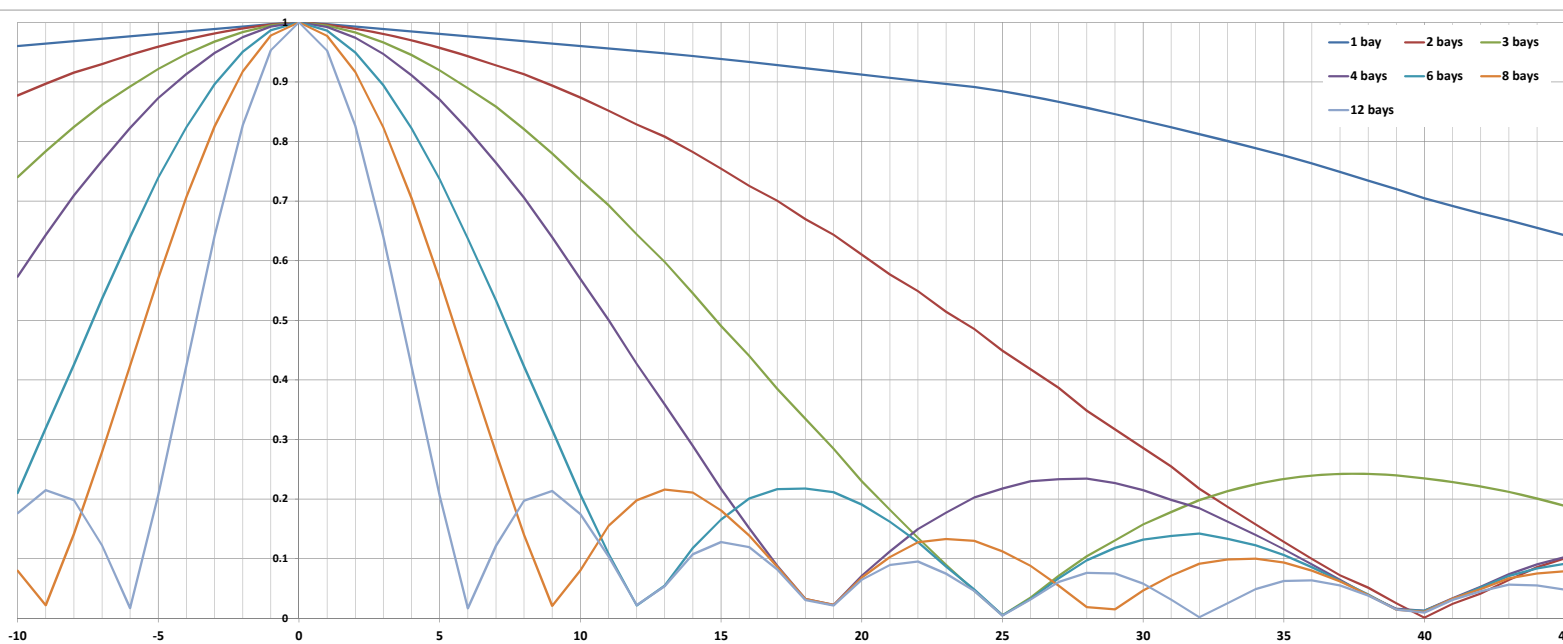


Arrays of FM Dipoles

Bays (Nr)	Gain (dBd)	Height (m/ft)	Weight (kg/lbs)*
1	2	1.46 (4.77)	8.5 (18.7)
2	5	3.86 (12.65)	17 (37.4)
3	6.7	6.26 (20.52)	25.5 (56.1)
4	8	8.66 (28.4)	34 (74.8)
6	9.7	13.46 (44.14)	51 (112.2)
8	11	18.26 (59.89)	68 (149.6)
12	12.7	27.86 (91.39)	102 (224.4)

* Pole, Power dividers, cables NOT considered

E/EM Vertical Radiation Patterns



I dati contenuti nel presente datasheet possono variare senza preavviso
Data on this datasheet can vary without previous notice

06/21