

PFM74000/PFMX4000 Mixed Pol. FM 4 dipoles Panel



H: 2200 mm [86.6"] W: 2200mm [86.6"] D: 870 [34.2"]

Band FM

Operative Frequency
87.5 - 108 MHz

Input: 4x 7/8" EIA
4x 7-16 DIN

MAIN FEATURES

Product Code: PFM74000 (EIA 7/8") / PFMX4000 (DIN 7-16)

Electrical characteristics

Frequency Range	87.5 - 108 MHz
Input impedance	50 OHM
Polarization	Horizontal/Vertical Circular/Elliptical
Gain	7.5 dBd
VSWR	<1.13 (Circular)/<1.2 (Linear)
Max input Power PFM74000	5.0 kW x input
Max input Power PFMX4000	2.5 kW per input
all metal parts are ground connected	

Mechanical characteristics

Input Connector PFM74000	4 x EIA 7/8"
Input Connector PFMX4000	4 x 7-16 DIN female
Weight/Mass	725.2 N (74 Kg 163 lbs)
Wind loads (wind=160 Kph)	1650 N (Front thrust) 1360 N (Side thrust)
Max Wind (survival)	200 Kph
Operating temperature	-50°C to +70°C
Pressurization (NOT for 7-16 version)	100 KPa (1 Atm)
Mounting:	Tower Face Mount (custom brackets on request)

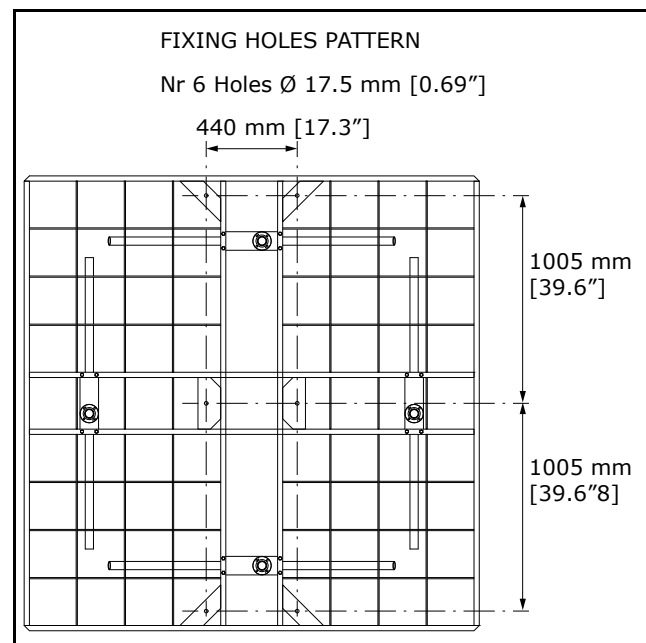
Materials

External parts	Hot dip galvanized steel
Internal Lines/ Dipoles	Silver Plated Alu/Brass
Hardware	Inox Steel AISI304

FIXING HOLES PATTERN

Nr 6 Holes Ø 17.5 mm [0.69"]

440 mm [17.3"]



E/EM Radiation Patterns

Horizontal Patterns
— Horizontal Component
— Vertical Component

Vertical Patterns
— Horizontal Component
— Vertical Component

