

YFV73002/YFV13002 FM 3 ELEMENTS YAGI

Band FM

Operative Frequency
87.5 - 108 MHz

Input: 7/8" EIA
1-5/8" EIA

MAIN FEATURES

Product code: YFV73002 (EIA 7/8") / YFV13002 (EIA 1-5/8")

Electrical characteristics

Frequency Range	87.5 - 108 MHz
Input impedance	50 OHM
Polarization	Vertical
Gain	4.5 dBd (@ 98 MHz)
VSWR	<1.25
Max input Power YFV73002	5.0 kW
Max input Power YFV13002	10.0 kW

all metal parts are ground connected

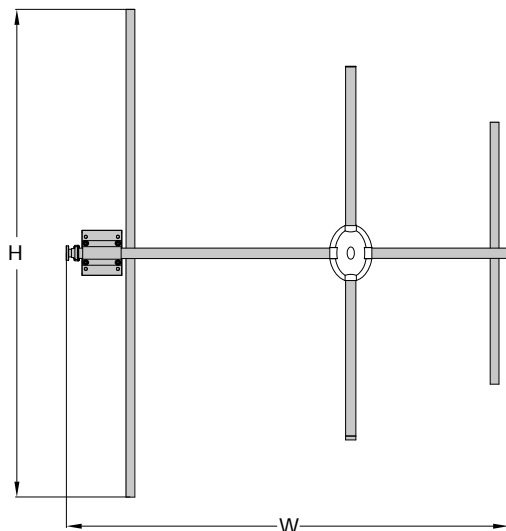
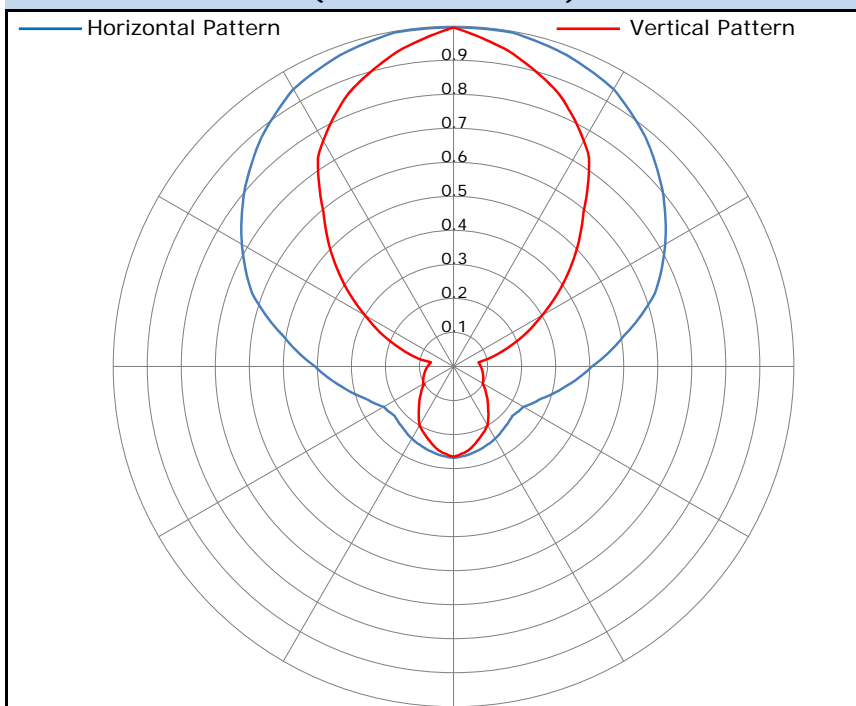
Mechanical characteristics

Input Connector YFV73002	EIA 7/8"
Input Connector YFV13002	EIA 1-5/8"
Weight/Mass	117.6 N (12 Kg 26.5 lbs)
Wind loads (wind=160 Kph)	142 N (Front thrust) 221 N (Side thrust)
Max Wind (survival)	200 Kph
Operating temperature	-50°C to +70°C
Pressurization	100 KPa (1 Atm)
Mounting:	Pole Brackets Ø 60-114 pole

Materials

External parts/Dipoles	Inox Steel AISI304
Brackets	Hot dip galvanized steel
Internal Lines	Silver Plated Alu/Brass
Hardware	Inox Steel AISI304
Radome	Fiberglass

E/EM Radiation Patterns (Vertical Polarization)



H: 1900 mm [74.8"]
W: Conn. 7/8" 1722 mm [67.8"]
W: Conn. 1-5/8" 1734 mm [68.3"]

I dati contenuti nel presente datasheet possono variare senza preavviso
Data on this datasheet can vary without previous notice

04/20