

YFV72000 FM Dipole W/reflector

Band FM

Operative Frequency
87.5 - 108 MHz

Input: 7/8" EIA

MAIN FEATURES

code: YFV72000

Electrical characteristics

Frequency Range	87.5 - 108 MHz
Input impedance	50 OHM
Polarization	Vertical
Gain	2.65 dBd (@ 100 MHz)
VSWR	<1.25 (Typical)
Max input Power	5.0 kW

all metal parts are ground connected

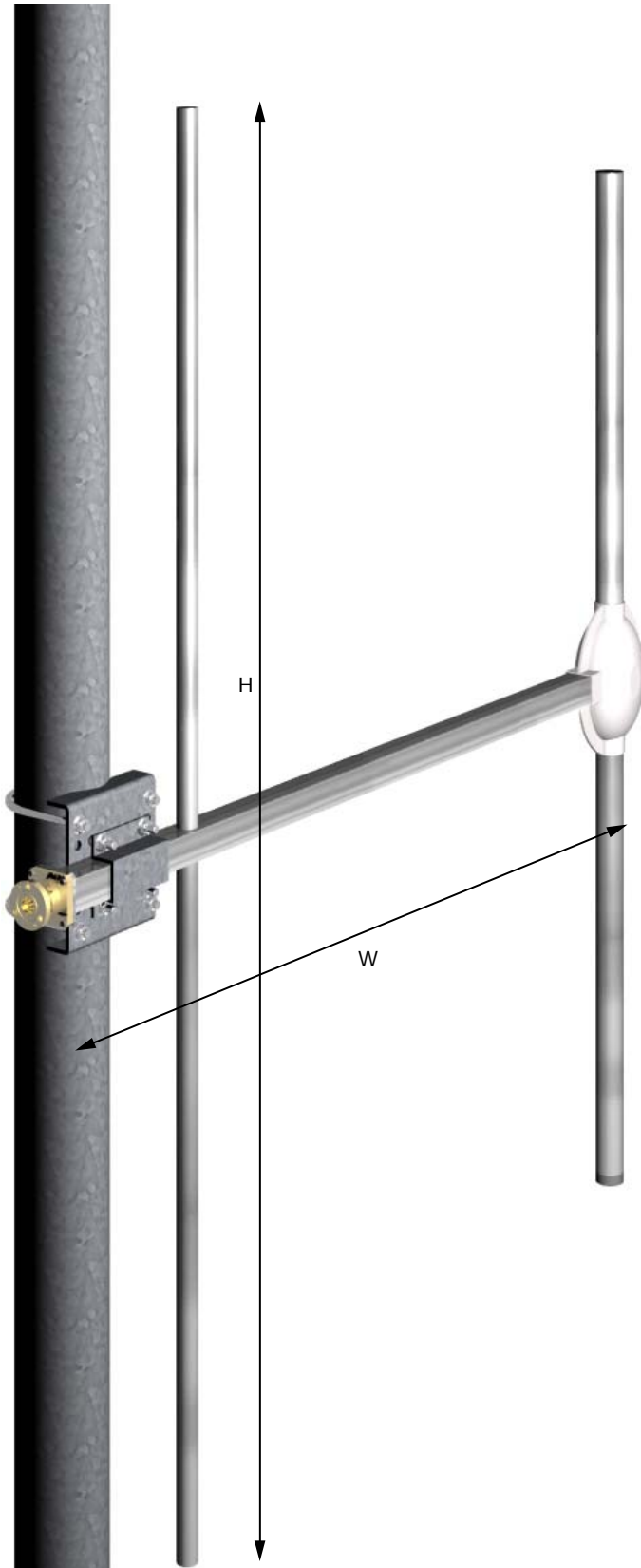
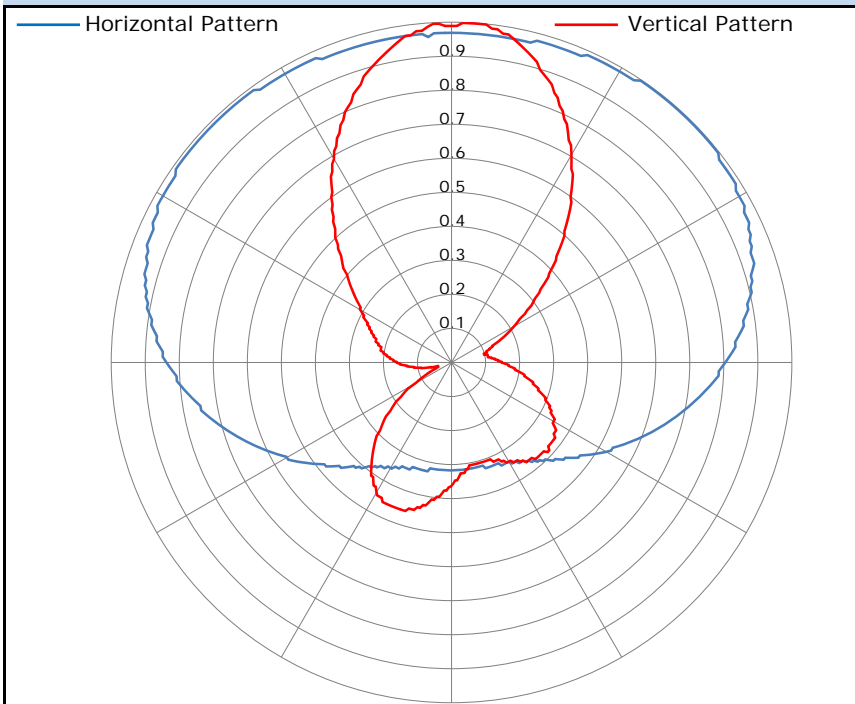
Mechanical characteristics

Input Connector	EIA 7/8"
Weight/Mass	102.9 N (10.5 Kg 23.1 lbs)
Wind loads (wind=160 Kph)	147 N (Front thrust) 230 N (Side thrust)
Max Wind (survival)	220 Kph
Operating temperature	-50°C to +70°C
Pressurization	100 KPa (1 Atm)
Mounting:	Brackets for Ø 60-114 pole

Materials

External parts/Dipoles	Inox Steel AISI304
Brackets	Hot dip galvanized steel
Internal Lines	Silver Plated Alu/Brass
Hardware	Inox Steel AISI304
Radome	Fiberglass

E/EM Radiation Patterns (Vertical Polarization)



H: 2150 mm [84.6"] W: 1110 mm [43.7"]