

YFL77000/YFL17000 FM 7 Elements Log-periodic

Band FM

Operative Frequency
87.5 - 108 MHz

Input: 7/8" EIA
1-5/8" EIA

MAIN FEATURES

Product code: YFL77000 (EIA 7/8") / YFL17000 (EIA 1-5/8")

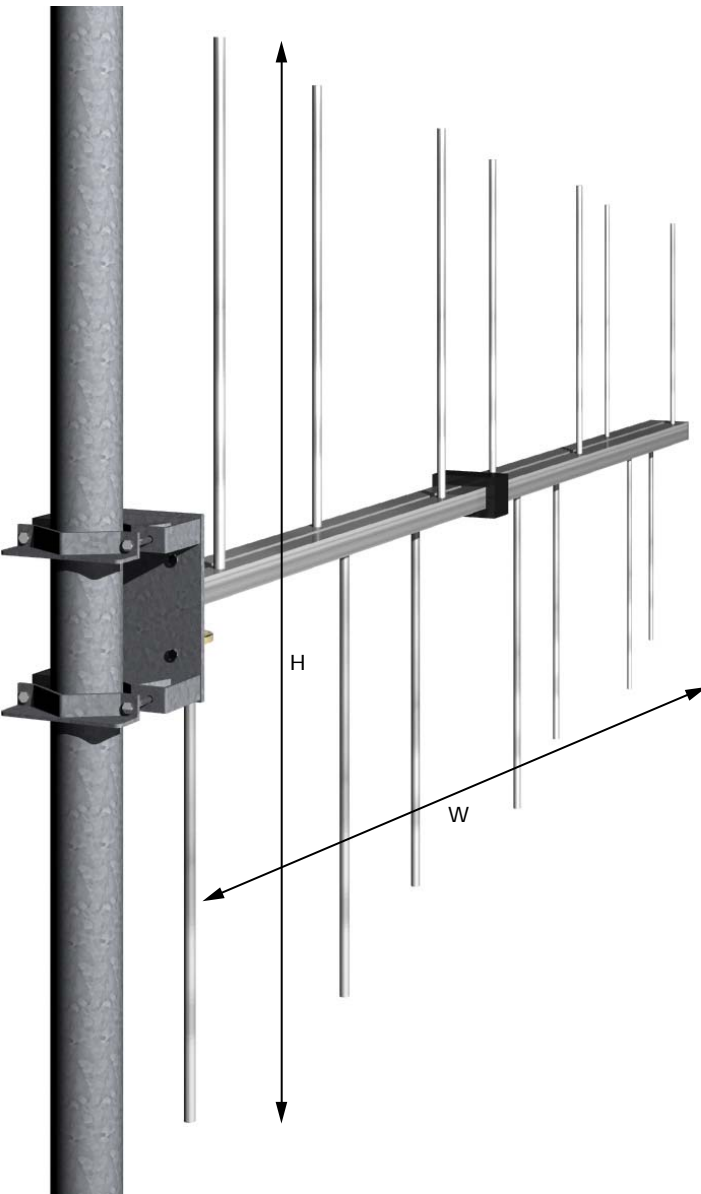
Electrical characteristics

Frequency Range	87.5 - 108 MHz
Input impedance	50 OHM
Polarization	Vertical
Gain	7.1 dBd (@ 98 MHz)
VSWR	<1.25
Max input Power YFL77000	5.0 kW
Max input Power YFL17000	10.0 kW

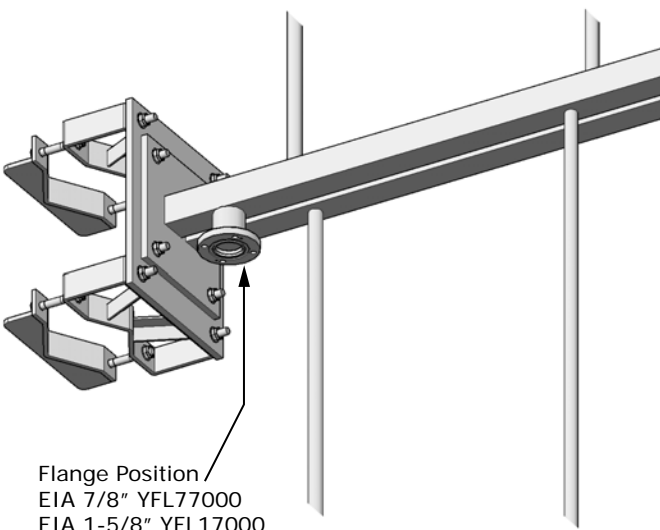
all metal parts are ground connected

Mechanical characteristics

Input Connector YFL77000	EIA 7/8"
Input Connector YFL17000	EIA 1-5/8"
Weight/Mass YFL77000	274.4 N (28 Kg 61.7 lbs)
Wind loads (wind=160 Kph)	420N (Front thrust) 795 N (Side thrust)
Max Wind (survival)	200 Kph
Operating temperature	-50°C to +70°C
Pressurization	100 KPa (1 Atm)
Mounting:	Pole Brackets Ø 114 pole



H: 1800 mm [73.8"] W: 2485 mm [69.6"]



Flange Position
EIA 7/8" YFL77000
EIA 1-5/8" YFL17000

E/EM Radiation Patterns (Vertical Polarization)

