

YVV74001-YVV4002 VHF & DAB 4 Elements Yagi

VHF
Band III TV
DAB / DAB+

Operative Frequency
174 - 240 MHz

Input: 7/8" EIA

MAIN FEATURES

Product code: YVV74001 (Low Band) - YVV74002 (High Band)

Electrical characteristics

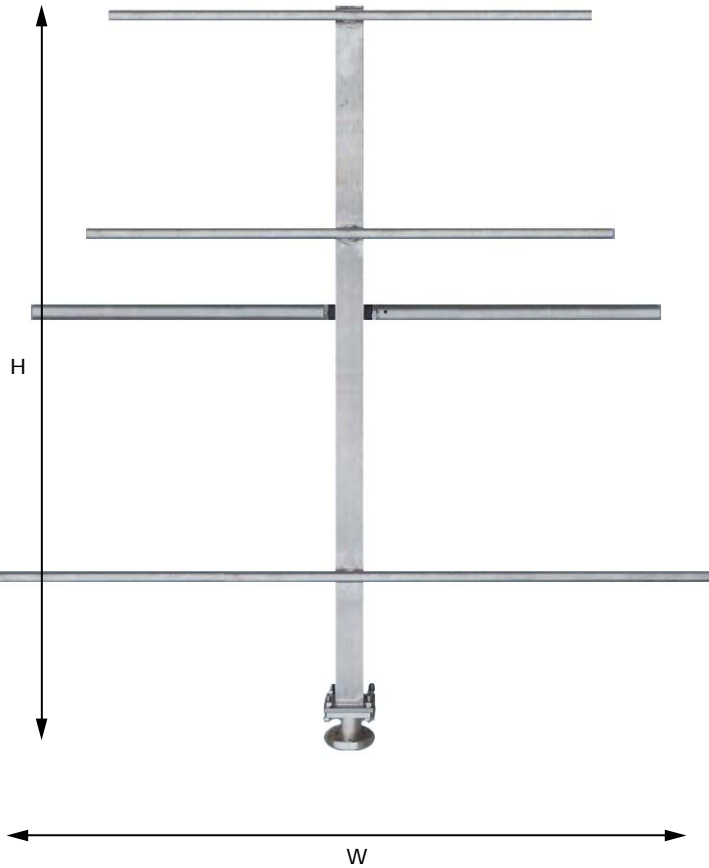
Frequency Range YVV74001	174 - 200 MHz
Frequency Range YVV74002	200 - 240 MHz
Input impedance	50 OHM
Polarization (depends on mounting)	Vertical/Horizontal
Gain	5.1 dBd (@ 200 MHz)
VSWR	<1.22
Max input Power	2.0 kW
all metal parts are ground connected	

Mechanical characteristics

Input Connector	EIA 7/8"
Weight/Mass YVV74001	37.3 N (3.8 Kg 8.4 lbs)
Weight/Mass YVV74002	28.4 N (2.9 Kg 6.4 lbs)
Wind loads (wind=160 Kph)	
YVV74001:	155 N (Front thrust); 350 N (Side thrust)
YVV74002:	130 N (Front thrust); 295 N (Side thrust)
Max Wind (survival)	200 Kph
Operating temperature	-50°C to +70°C
Pressurization	100 KPa (1 Atm)
Mounting:	Pole Brackets Ø 50-114 pole

Materials

External parts/Brackets	Inox Steel AISI304
Internal Lines/ Dipoles	Silver Plated Alu/Brass
Hardware	Inox Steel AISI304



YVV74001

W: 956 mm (37.6")

H: 976 mm (38.4")

YVV74002

W: 776 mm (30.6")

H: 725 mm (28.5")

E/EM Radiation Patterns (Vertical Polarization)

