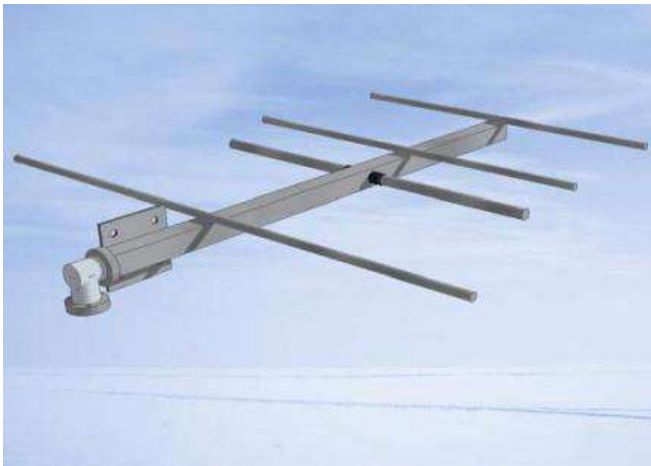


## YVV74001 & YVV74002 VHF DAB 4 Element Yagi



Broadcasting  
Antennas

DAB

Freq.  
174-200 MHz

Input Flange  
EIA 7/8"

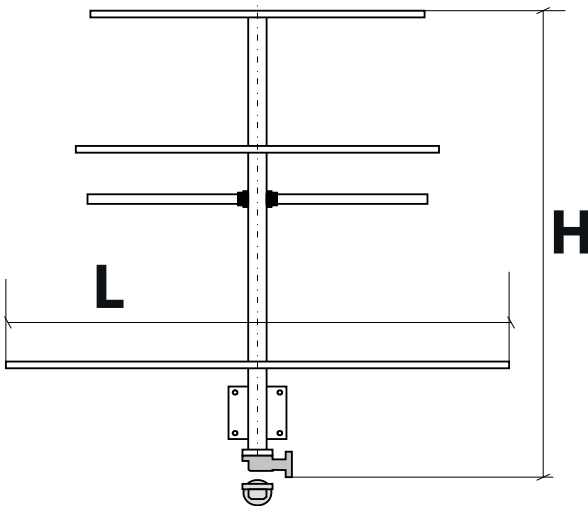
### MAIN FEATURES

**Product Code: YVV74001**

Electrical characteristics	YVV74001	YVV74002
Frequency range	174-200 MHz	200- 240 MHz
Input impedance	50 ohm	
Polarization	Vertical/Horizontal	
Gain	5.1 dBd	
VSWR	<1.22	
Max input Power	2 kW	

### Mechanical characteristics

Input Connector	EIA 7/8"	
Temperature range	-40° C - +70° C	
Weight	37.2 N	28.4 N
Mass Kg (lbs)	3.8 (8.4)	2.9 (6.4)
Max wind (survival)	200 km/h	
Mount	Pole Ø 50-114 mm	
Wind loads (wind= 160 Km/h)		
(front thrust)	155 N	130 N
(lateral thrust)	370 N	295 N



### Materials

External Parts	inox steel AISI 304
Inner lines / Connections	Copper/Brass
Nuts, & bolts	inox steel AISI 304

	174-200 MHz	200-240 MHz
L	956 mm	772 mm
H	976 mm	725 mm

### E/EM Radiation Patterns

