

YVV75001 VHF & DAB 5 Elements Yagi

VHF
Band III TV
DAB / DAB+

Operative Frequency
174-210 MHz

Input Size:
EIA 7/8"

ELECTRICAL CHARACTERISTICS

Frequency Range	174 - 210 MHz
Input impedance	50 OHM
Polarization (depends on mounting)	Vertical/Horizontal
Gain	6 dBd (@ 200 MHz)
VSWR	<1.22
Max input Power	3.0 kW

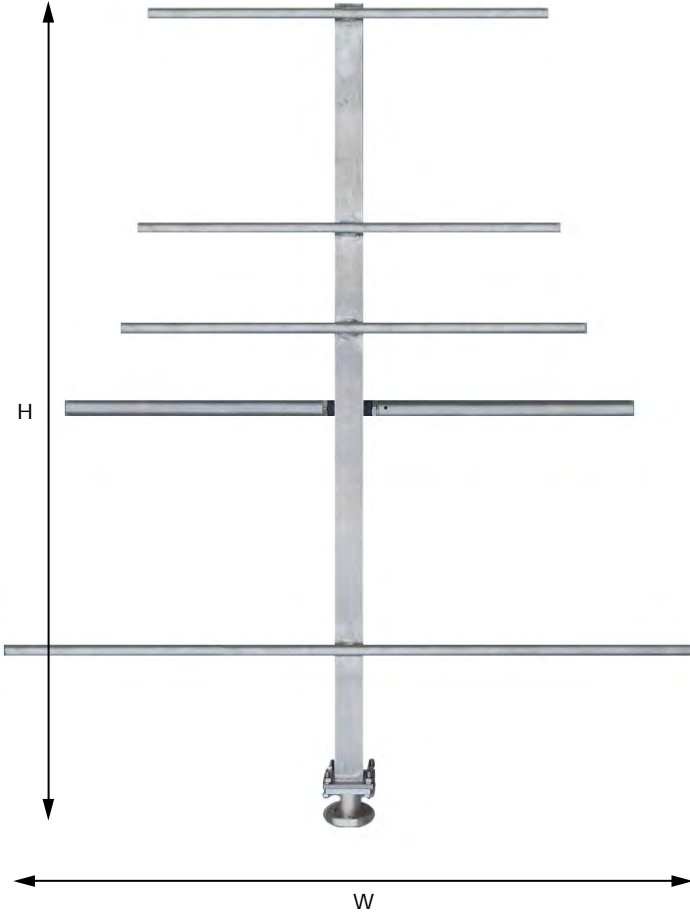
all metal parts are ground connected

MECHANICAL CHARACTERISTICS

Input Connector	EIA 7/8"
Weight/Mass	55.9 N (5.7 Kg 12.6 lbs)
Wind loads (wind=160 Kph)	155 N (Front Thrust); 388 N (Side T.)
Max Wind (survival)	200 Kph
Operating temperature	-50°C to +70°C
Pressurization	100 KPa (1 Atm)
Mounting:	Pole Ø 50-114 pole

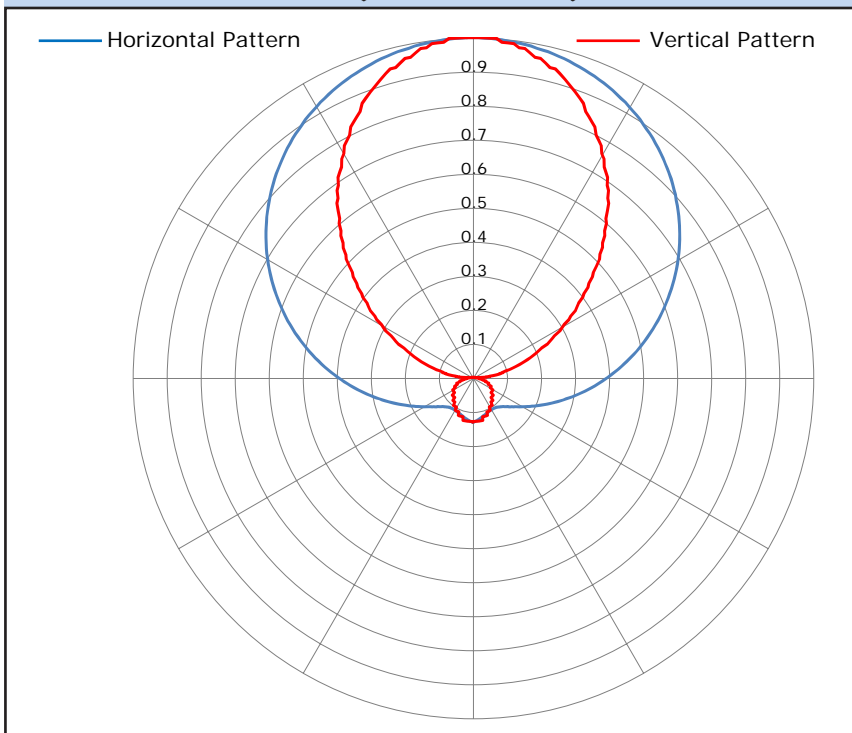
Materials

External parts/Brackets	Stainless Steel
Internal Lines/ Dipoles	Silver Plated Alu/Brass
Hardware	Stainless Steel



H: 1190 mm [46.9"] W: 956 mm [37.6"]

RADIATION PATTERNS (VERTICAL POL.)



YVV75001 VHF & DAB 5 Elements Yagi- Typical Antenna Systems Patterns

Arrays Data Table

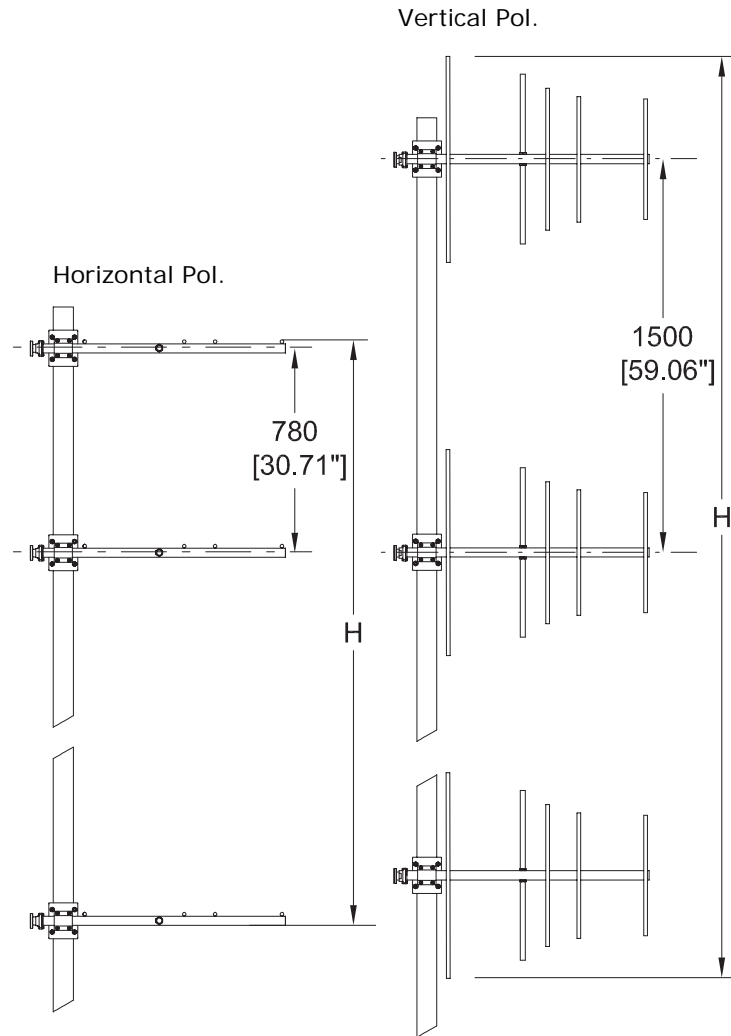
Horizontal Pol.

Bays (Nr)	Gain (dBd)	Height (m/ft)	Weight (kg/lbs)*
1	6	0.05 (0.2)	5.7 (12.6)
2	9	0.83 (2.7)	11.4 (25.1)
3	10.8	1.61 (5.3)	17.1 (37.7)
4	12	2.39 (7.8)	22.8 (50.3)
6	13.8	3.95 (13)	34.2 (75.4)
8	15	5.51 (18.1)	45.6 (100.5)
12	16.8	8.63 (28.3)	68.4 (150.8)

Vertical Pol.

Bays (Nr)	Gain (dBd)	Height (m/ft)	Weight (kg/lbs)*
1	6	0.956 (3.1)	5.7 (12.6)
2	9	2.456 (5.7)	11.4 (25.1)
3	10.8	3.956 (8.3)	17.1 (37.7)
4	12	5.456 (10.8)	22.8 (50.3)
6	13.8	8.456 (15.9)	34.2 (75.4)
8	15	11.456 (21.1)	45.6 (100.5)
12	16.8	17.456 (31.3)	68.4 (150.8)

*Supporting Pole, Cables, Power Dividers NOT considered



E/EM Vertical Radiation Patterns

