

PVH72000-PVHX2000 VHF & DAB 2 Dipoles Panel

VHF
Band III TV
DAB / DAB+

Operative Frequency
174 - 240 MHz

Input Size:
EIA 7/8" - DIN 7-16

ELECTRICAL CHARACTERISTICS

Frequency Range	174 - 240 MHz
Input impedance	50 OHM
Polarization (depends on mounting)	Vertical/Horizontal
Gain	8 dBd (@ 200 MHz)
VSWR	<1.1
Max input Power PVH72000	3 kW (Input 7/8")
Max input Power PVHX2000	1 kW (Input 7-16)
all metal parts are ground connected	

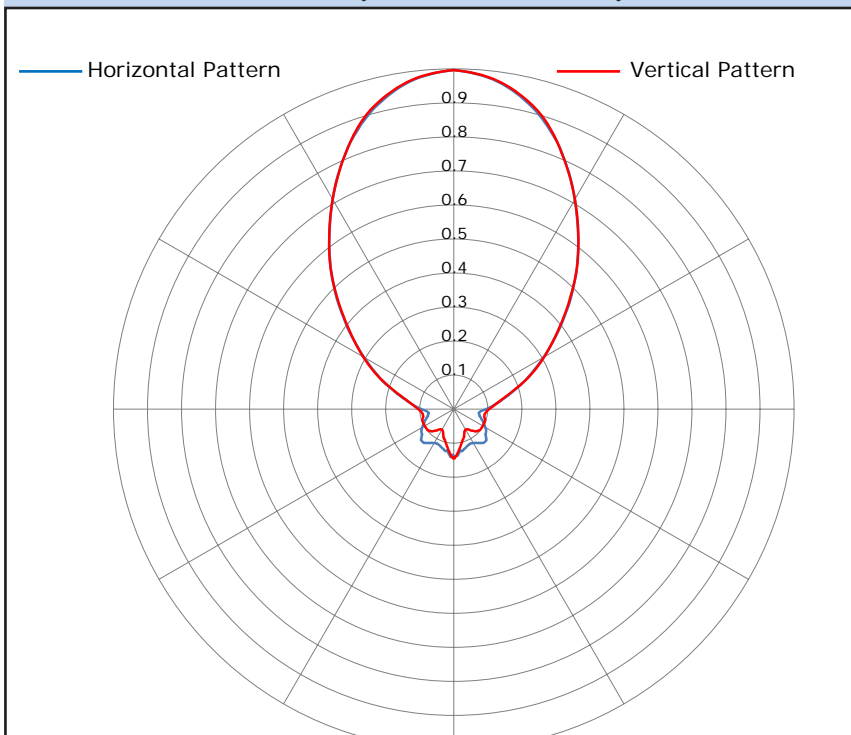
MECHANICAL CHARACTERISTICS

Input Connector PVH72000	EIA 7/8"
Input Connector PVHX2000	7-16 DIN Female
Weight/Mass	284.2 N (29 Kg 63.9 lbs)
Wind loads (wind=160 Kph)	800 N (Front thrust) 120 N (Side thrust H Pol.) 200 N (Side thrust V. Pol)
Max Wind (survival)	200 Kph
Operating temperature	-50°C to +70°C
Pressurization (NOT 7-16 input)	100 KPa (1 Atm)
Mounting on tower face	(Optional: Ø 89-114 Pole Brackets)

Materials

External parts/Dipoles	Stainless Steel
Brackets	Hot dip galvanized steel
Internal Lines	Silver Plated Brass/Alu
Hardware	Stainless Steel
Radome	Fiberglass

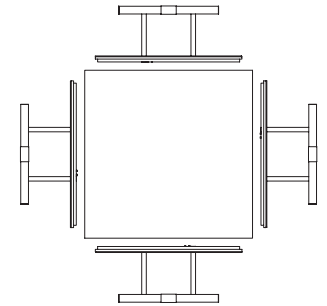
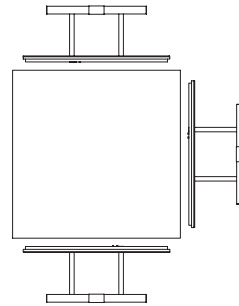
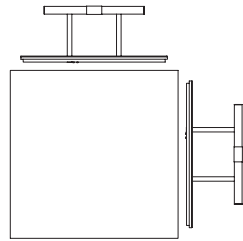
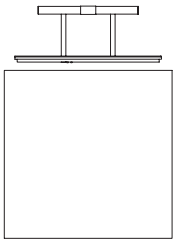
RADIATION PATTERNS (HORIZONTAL POL.)



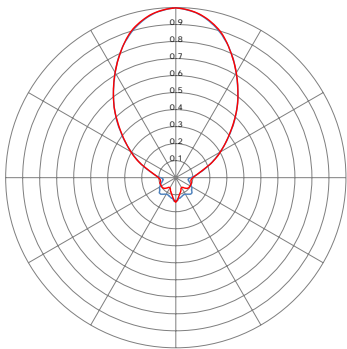
H: 1310 mm [51.6"] W: 1310 mm [51.6"] D: 481 mm [18.9"]

PVH72000-PVHX2000 VHF & DAB 2 Dipoles Panel- Typical Antenna Systems Patterns

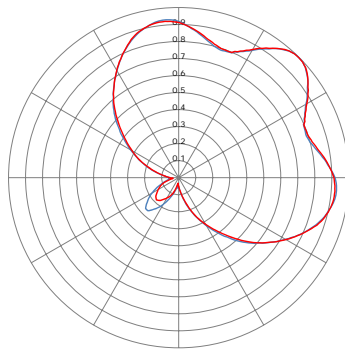
Arrays Data Table



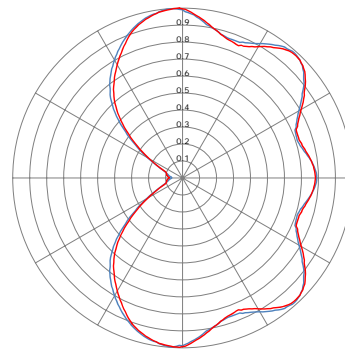
— Horizontal Pol.
— Vertical Pol.



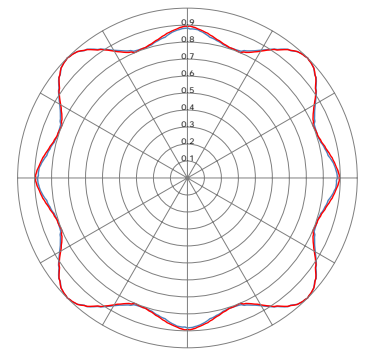
1 face



2 faces



3 faces



4 faces

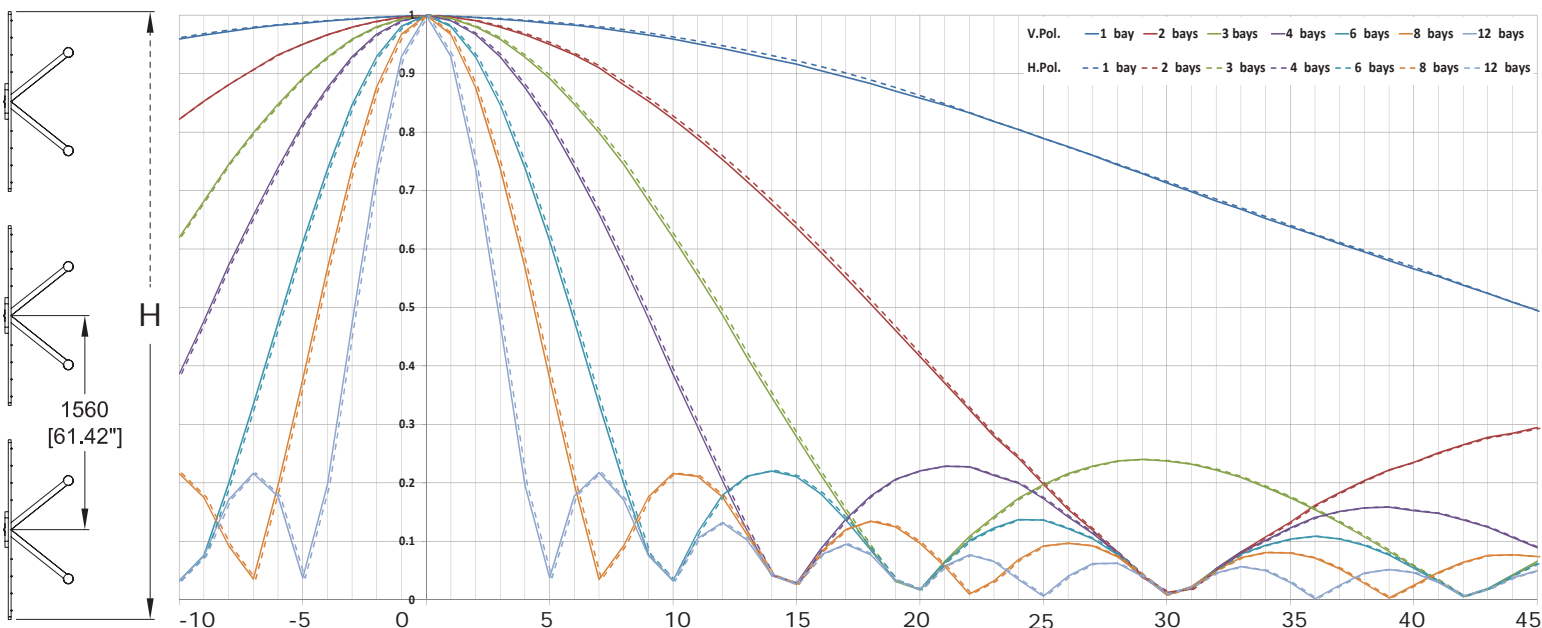
Bays #	Gain dBd	Height m	Weight kg
1	8	1.3	29
2	11	2.86	58
3	12.8	4.42	87
4	14	5.98	116
6	15.8	9.1	174
8	17	12.22	232
12	18.8	18.46	348

Bays #	Gain dBd	Height m	Weight kg
1	5	1.3	58
2	8	2.86	116
3	9.8	4.42	174
4	11	5.98	232
6	12.8	9.1	348
8	14	12.22	464
12	15.8	18.46	696

Bays #	Gain dBd	Height m	Weight kg
1	3.2	1.3	87
2	6.2	2.86	116
3	8	4.42	174
4	9.2	5.98	232
6	11	9.1	348
8	12.2	12.22	464
12	14	18.46	696

Bays #	Gain dBd	Height m	Weight kg
1	2	1.3	116
2	5	2.86	232
3	6.8	4.42	348
4	8	5.98	464
6	9.8	9.1	696
8	11	12.22	928
12	12.8	18.46	1392

E/EM Vertical Radiation Patterns



I dati contenuti nel presente datasheet possono variare senza preavviso
Data on this datasheet can vary without previous notice

09/21