

## YFL77000/YFL17000 FM 7 Elements Log-periodic

Band FM

Operative Frequency  
87.5 - 108 MHz

Input: 7/8" EIA  
1-5/8" EIA

### MAIN FEATURES

Product code: YFL77000 (EIA 7/8") / YFL17000 (EIA 1-5/8")

#### Electrical characteristics

Frequency Range	87.5 - 108 MHz
Input impedance	50 OHM
Polarization	Vertical/Horizontal
Gain	7.1 dBd (@ 98 MHz)
VSWR	<1.3
Max input Power YFL77000	5.0 kW
Max input Power YFL17000	10.0 kW

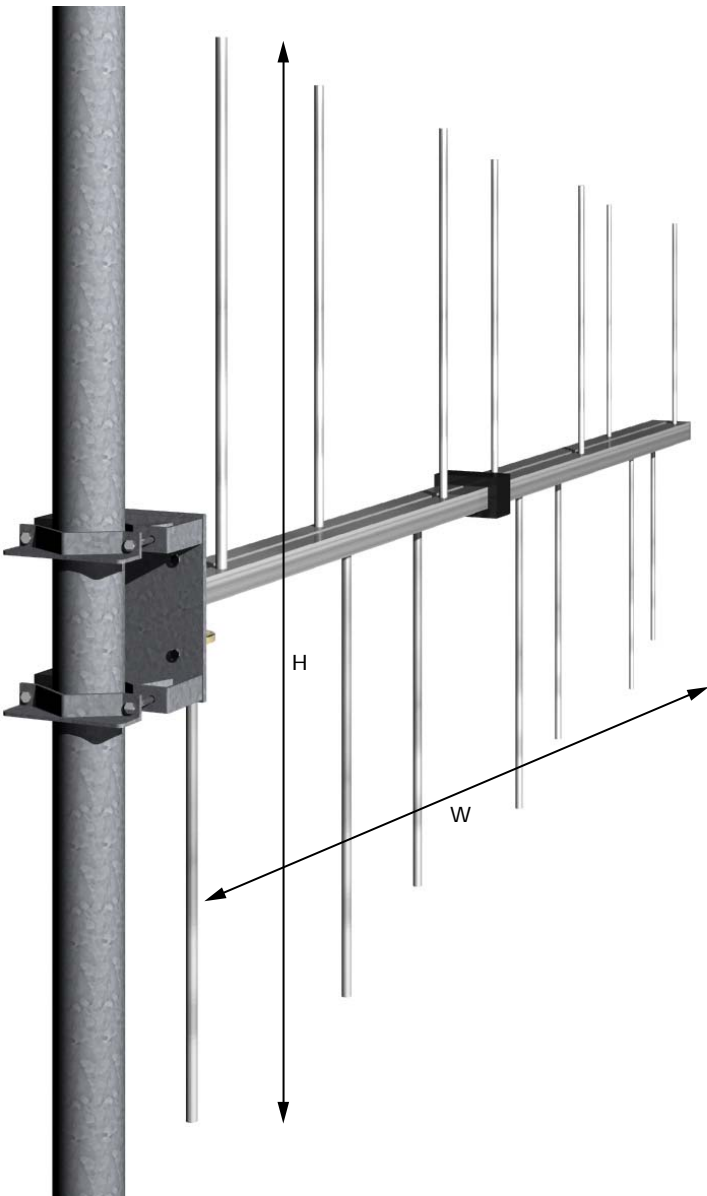
all metal parts are ground connected

#### Mechanical characteristics

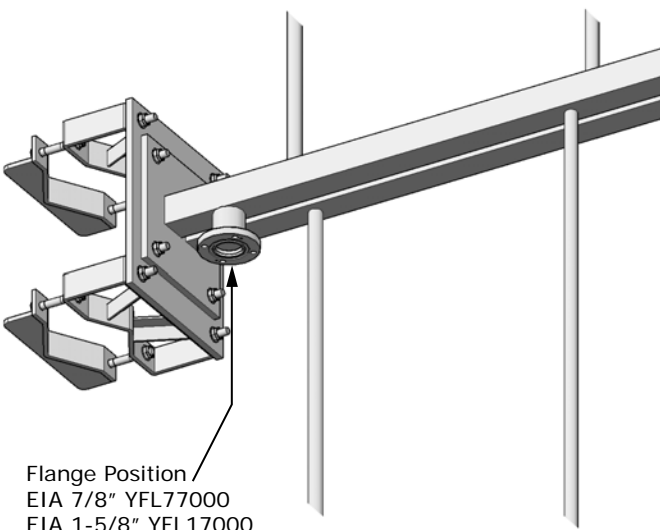
Input Connector YFL77000	EIA 7/8"
Input Connector YFL17000	EIA 1-5/8"
Weight/Mass YFL77000	274.4 N (28 Kg   61.7 lbs)
Wind loads (wind=160 Kph)	460N (Front thrust) 815 N (Side thrust)
Max Wind (survival)	200 Kph
Operating temperature	-50°C to +70°C
Pressurization	100 KPa (1 Atm)
Mounting:	Pole Brackets Ø 114 pole

#### Materials

External parts/Dipoles	Stainless Steel
Brackets	Hot dip galvanized steel
Internal Lines	Silver Plated Alu/Brass
Hardware	Stainless Steel

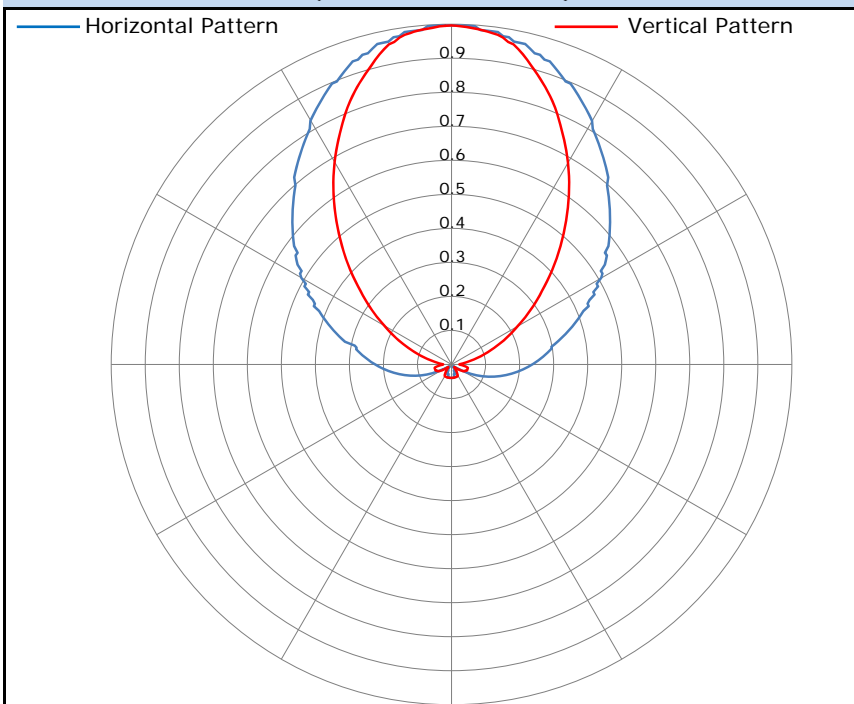


H: 1800 mm [73.8"] W: 2485 mm [69.6"]



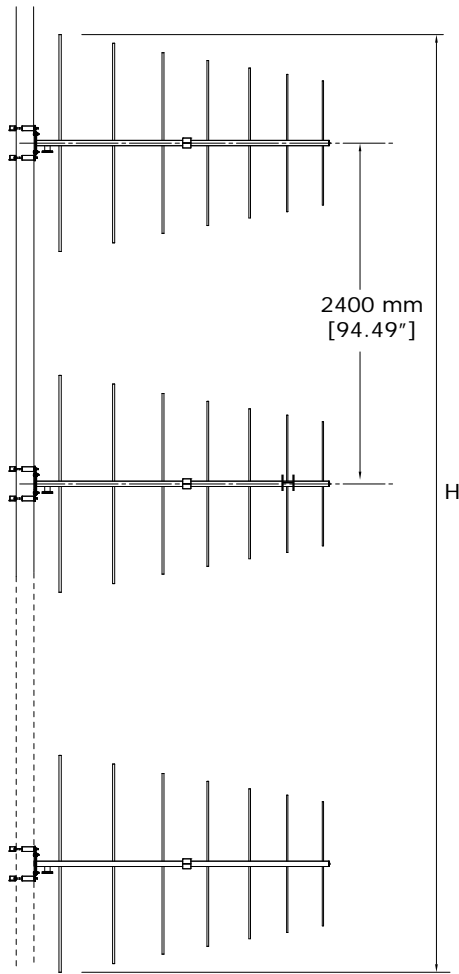
Flange Position  
EIA 7/8" YFL77000  
EIA 1-5/8" YFL17000

#### E/EM Radiation Patterns (Vertical Polarization)



## YFL77000/YFL17000 FM LOG-PERIODIC Arrays

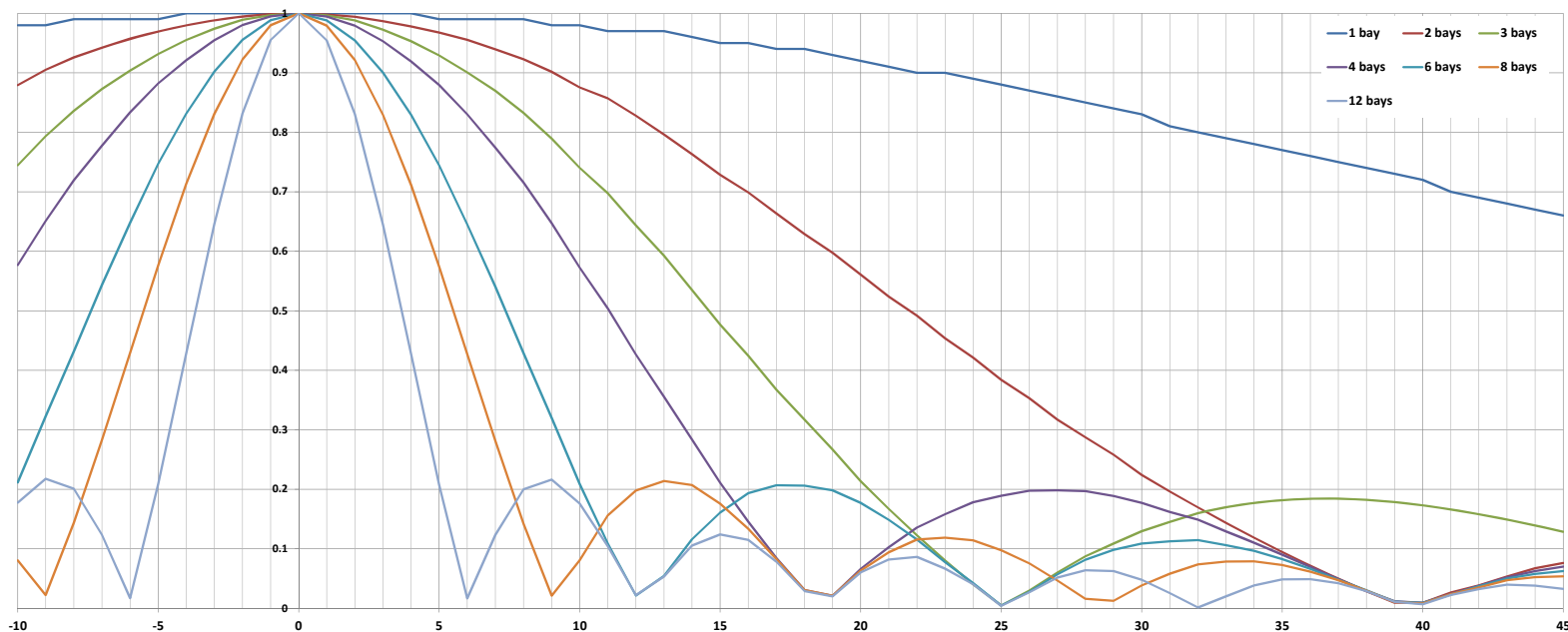
### Arrays of FM Dipoles



Bays (Nr)	Gain (dBd)	Height (m/ft)	Weight (kg/lbs)*
1	7.1	1.8 (5.91)	28 (61.6)
2	10.1	4.2 (13.78)	56 (123.2)
3	11.9	6.6 (21.65)	84 (184.8)
4	13.1	9 (29.53)	112 (246.4)
6	14.9	13.8 (45.28)	168 (369.6)
8	16.1	18.6 (61.02)	224 (492.8)
12	17.9	28.2 (92.52)	336 (739.2)

\* Pole, Power dividers, cables NOT considered

### E/EM Vertical Radiation Patterns (Vertical Polarization)



I dati contenuti nel presente datasheet possono variare senza preavviso  
Data on this datasheet can vary without previous notice

06/21