

NFV71001/NFV11001 FM Dipole

Band FM

Operative Frequency
87.5 - 108 MHz

Input: EIA 7/8"
EIA 1-5/8"

MAIN FEATURES

Product code: NFV71001 (EIA 7/8") / NFV11001 (EIA 1-5/8")

Electrical characteristics

Frequency Range	87.5 - 108 MHz
Input impedance	50 OHM
Polarization	Vertical
Gain	2 dBd (@ 98 MHz)
VSWR	<1.25
Max input Power NFV71001	5.0 kW
Max input Power NFV11001	10.0 kW

all metal parts are ground connected

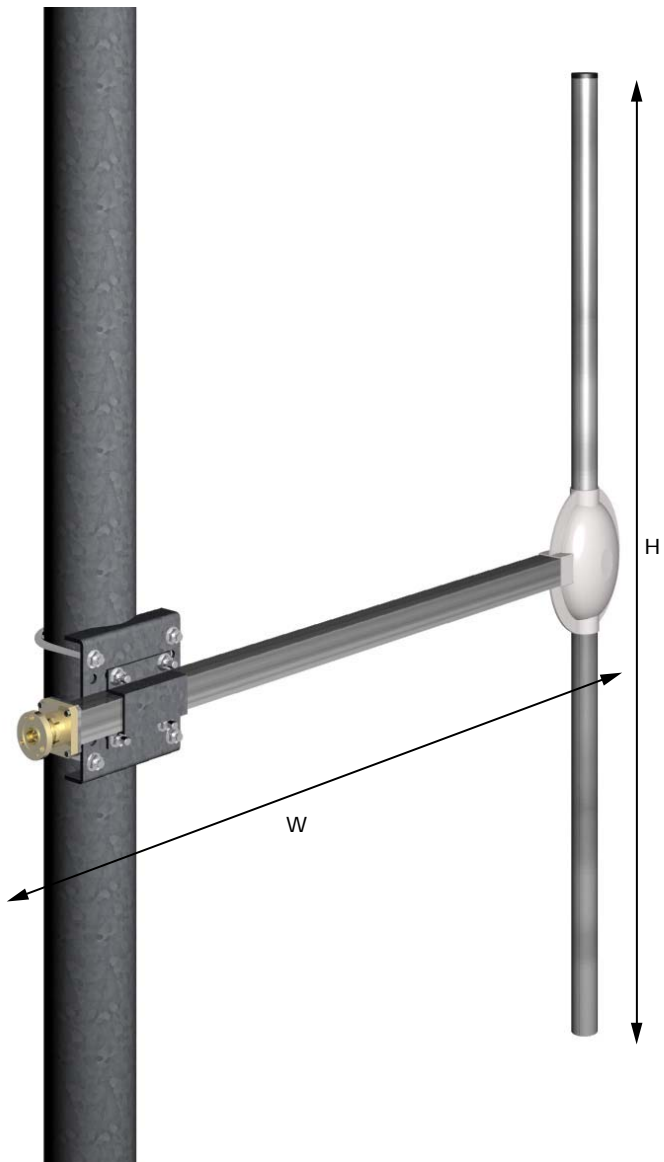
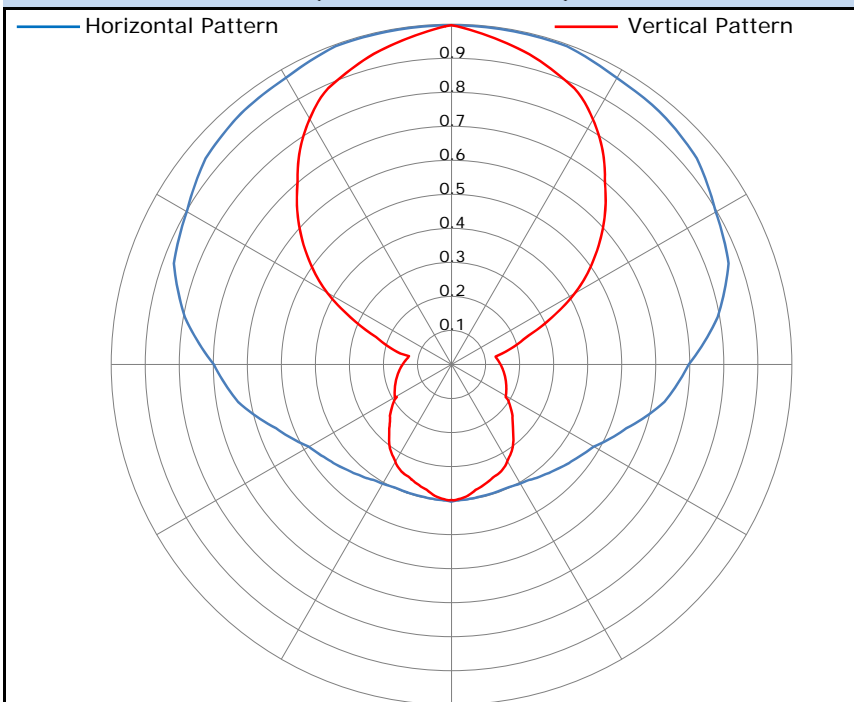
Mechanical characteristics

Input Connector NFV71001	EIA 7/8"
Input Connector NFV11001	EIA 1-5/8"
Weight/Mass	84.4 N (8.6 Kg 18.9 lbs))
Wind loads (wind=160 Kph)	115 N (Front thrust) 180 N (Side thrust)
Max Wind (survival)	220 Kph
Operating temperature	-50°C to +70°C
Pressurization	100 KPa (1 Atm)
Mounting:	Pole Brackets Ø 60-114 pole

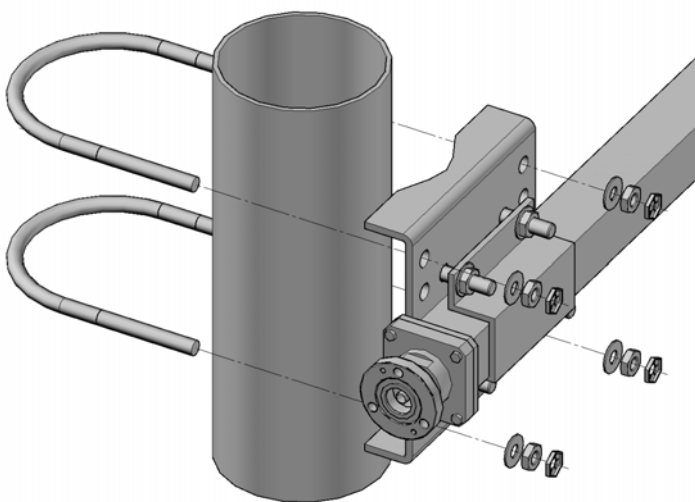
Materials

External parts/Dipoles	Stainless Steel
Brackets	Hot dip galvanized steel
Internal Lines	Silver Plated Brass/Alu
Hardware	Stainless Steel
Radome	Fiberglass

E/EM Radiation Patterns (Vertical Polarization)



H: 1455 mm [57.3"] W: 1130 mm [44.5"]



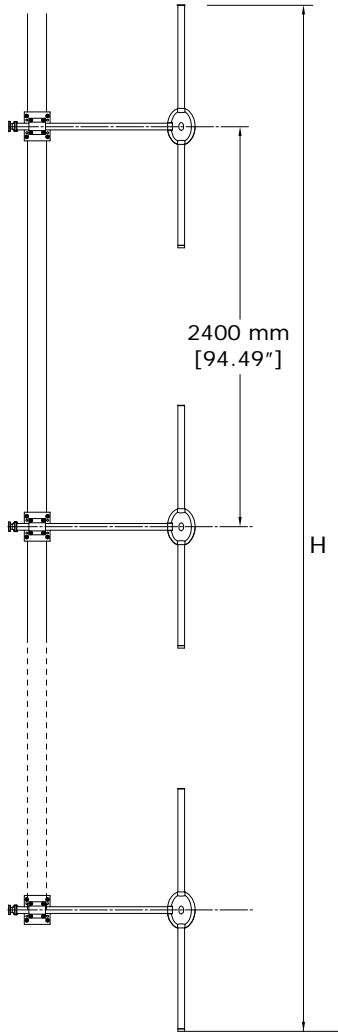
Pole Clamp included

I dati contenuti nel presente datasheet possono variare senza preavviso
Data on this datasheet can vary without previous notice

06/21

NFV71001/NFV11001 FM Dipoles Arrays

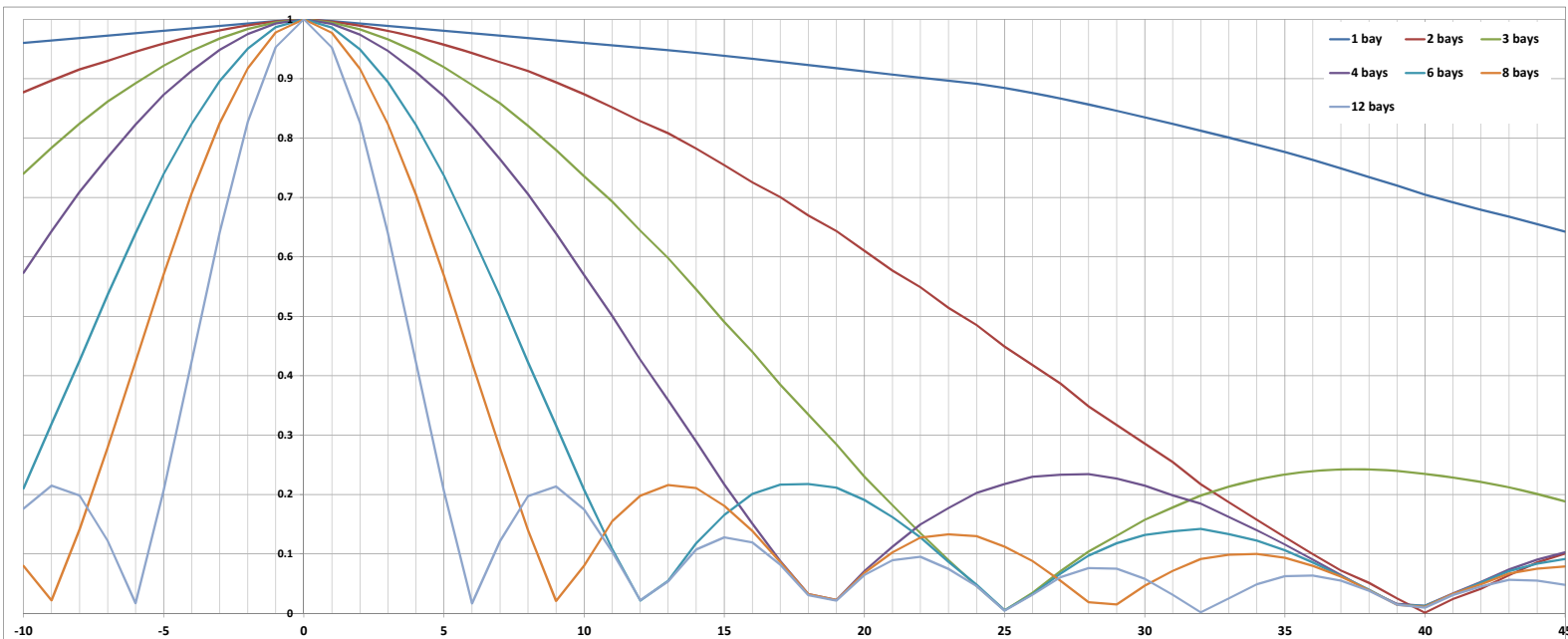
Arrays of FM Dipoles



Bays (Nr)	Gain (dBd)	Height (m/ft)	Weight (kg/lbs)*
1	2	1.46 (4.77)	8.6 (18.9)
2	5	3.86 (12.65)	17.2 (37.8)
3	6.7	6.26 (20.52)	25.8 (56.8)
4	8	8.66 (28.4)	34.4 (75.7)
6	9.7	13.46 (44.14)	51.6 (113.5)
8	11	18.26 (59.89)	68.8 (151.4)
12	12.7	27.86 (91.39)	103.2 (227)

* Pole, Power dividers, cables NOT considered

E/EM Vertical Radiation Patterns



I dati contenuti nel presente datasheet possono variare senza preavviso
Data on this datasheet can vary without previous notice

06/21