

NFVX1001-1 FM Dipole

Band FM

Operative Frequency
87.5 - 108 MHz

Input: 7-16 FEMALE

MAIN FEATURES

Product code: NFVX1001-1

Electrical characteristics

Frequency Range	87.5 - 108 MHz
Input impedance	50 OHM
Polarization	Vertical
Gain	2 dBd (@ 98 MHz)
VSWR	<1.25 (Typical)
Max input Power	1.0 kW

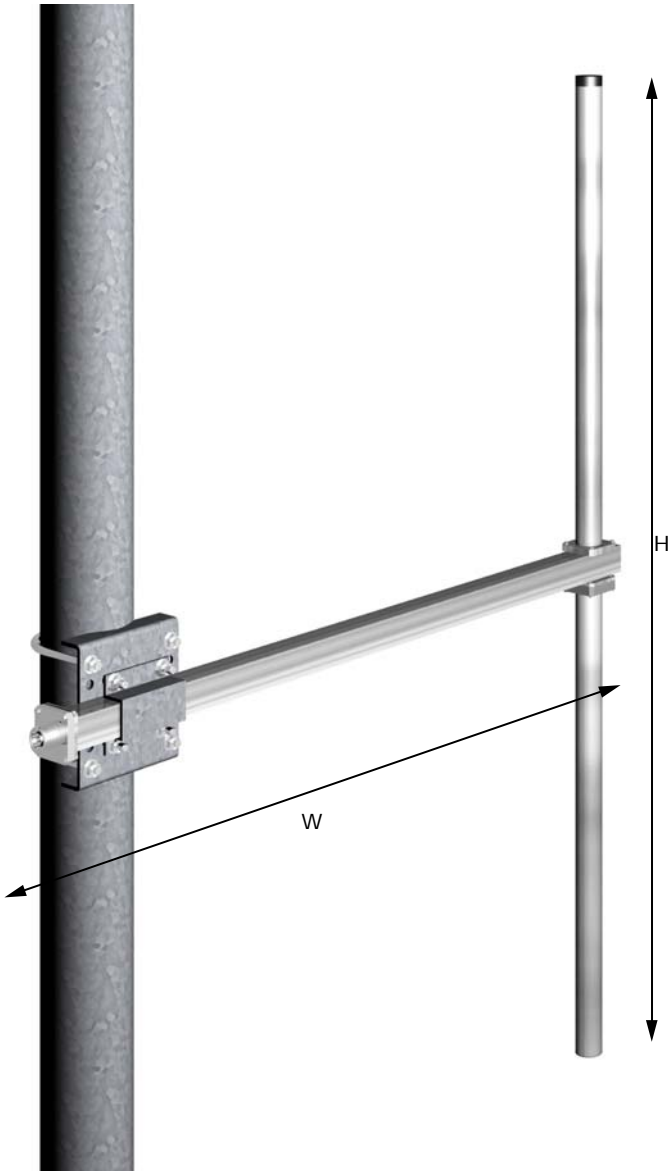
all metal parts are ground connected

Mechanical characteristics

Input Connector	DIN 7-16 Female Straight
Weight/Mass NFV71001	88.2 N (9 Kg 19.8 lbs))
Wind loads (wind=160 Kph)	62 N (Front thrust) 110 N (Side thrust)
Max Wind (survival)	220 Kph
Operating temperature	-50°C to +70°C
Mounting:	Pole Brackets Ø 50-76 pole

Materials

External parts/Dipoles	Inox Steel AISI304
Brackets	Hot dip galvanized steel
Internal Lines	Silver Plated Alu/Brass
Hardware	Inox Steel AISI304



H: 1440 mm [57.1"] W: 1110 mm [43.7"]

E/EM Radiation Patterns (Vertical Polarization)

