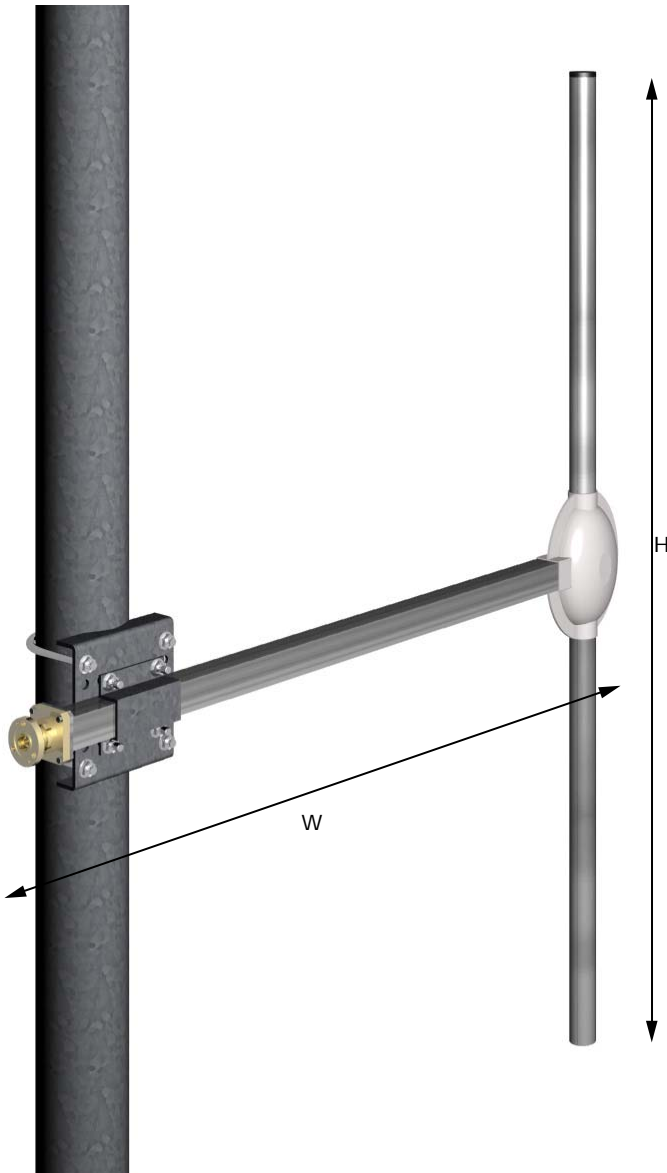
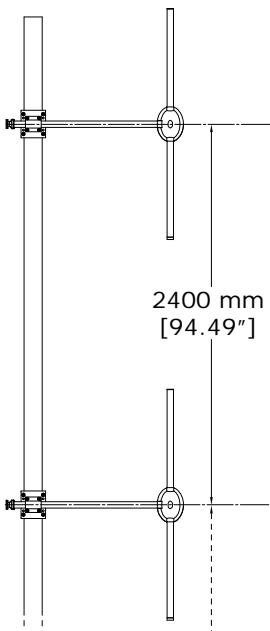


NFV71001/NFV11001 FM Dipole



H: 1455 mm [57.3"] W: 1130 mm [44.5"]



Band FM

Operative Frequency
87.5 - 108 MHz

Input: EIA 7/8"
EIA 1-5/8"

MAIN FEATURES

Product code: NFV71001 (EIA 7/8") / NFV11001 (EIA 1-5/8")

Electrical characteristics

| | |
|--------------------------|------------------|
| Frequency Range | 87.5 - 108 MHz |
| Input impedance | 50 OHM |
| Polarization | Vertical |
| Gain | 2 dBd (@ 98 MHz) |
| VSWR | <1.25 |
| Max input Power NFV71001 | 5.0 kW |
| Max input Power NFV11001 | 10.0 kW |

all metal parts are ground connected

Mechanical characteristics

| | |
|---------------------------|--|
| Input Connector NFV71001 | EIA 7/8" |
| Input Connector NFV11001 | EIA 1-5/8" |
| Weight/Mass | 68.7 N (7 Kg 15.4 lbs)) |
| Wind loads (wind=160 Kph) | 62 N (Front thrust) 110 N (Side thrust) |
| Max Wind (survival) | 220 Kph |
| Operating temperature | -50°C to +70°C |
| Pressurization | 100 KPa (1 Atm) |
| Mounting: | Pole Brackets Ø 60-114 pole |

Materials

| | |
|------------------------|--------------------------|
| External parts/Dipoles | Inox Steel AISI304 |
| Brackets | Hot dip galvanized steel |
| Internal Lines | Silver Plated Brass/Alu |
| Hardware | Inox Steel AISI304 |
| Radome | Fiberglass |

E/EM Radiation Patterns (Vertical Polarization)

