

PFM74000/PFMX4000 Mixed Pol. FM 4 dipoles Panel



H: 2200 mm [86.6"] W: 2200mm [86.6"] D: 870 [34.2"]

Band FM

Operative Frequency
87.5 - 108 MHz

Input: 4x 7/8" EIA
4x 7-16 DIN

MAIN FEATURES

Product Code: PFM74000 (EIA 7/8") / PFMX4000 (DIN 7-16)

Electrical characteristics

| | |
|--------------------------------------|--|
| Frequency Range | 87.5 - 108 MHz |
| Input impedance | 50 OHM |
| Polarization | Horizontal/Vertical Circular/Elliptical |
| Gain | 4 dBd (Circular)/7.5 dBd (Linear) |
| VSWR | <1.13 (Circular)/<1.2 (Linear) |
| Max input Power PFM74000 | 5.0 kW x input |
| Max input Power PFMX4000 | 2.5 kW per input |
| all metal parts are ground connected | |

Mechanical characteristics

| | |
|---------------------------------------|--|
| Input Connector PFM74000 | 4 x EIA 7/8" |
| Input Connector PFMX4000 | 4 x 7-16 DIN female |
| Weight/Mass | 725.2 N (74 Kg 163 lbs) |
| Wind loads (wind=160 Kph) | 1650 N (Front thrust) 1360 N (Side thrust) |
| Max Wind (survival) | 200 Kph |
| Operating temperature | -50°C to +70°C |
| Pressurization (NOT for 7-16 version) | 100 KPa (1 Atm) |
| Mounting: | Tower Face Mount (custom brackets on request) |

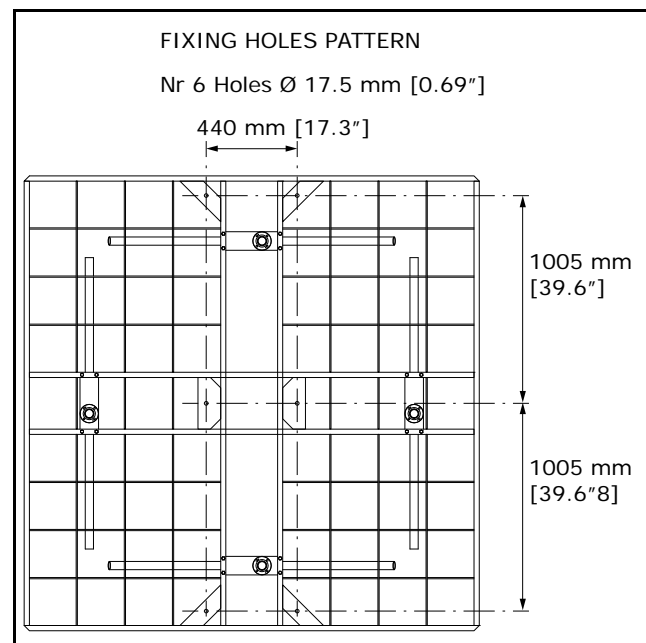
Materials

| | |
|-------------------------|--------------------------|
| External parts | Hot dip galvanized steel |
| Internal Lines/ Dipoles | Silver Plated Alu/Brass |
| Hardware | Inox Steel AISI304 |

FIXING HOLES PATTERN

Nr 6 Holes Ø 17.5 mm [0.69"]

440 mm [17.3"]



E/EM Radiation Patterns

Horizontal Patterns
— Horizontal Component
— Vertical Component

Vertical Patterns
— Horizontal Component
— Vertical Component

