

PUH72000-PUHX2000 UHF HORIZ. POL. 2 DIPOLES PANEL



UHF Band	Operative Frequency 470 - 806 MHz	Input: 7/8" EIA 7-16 DIN
----------	--------------------------------------	-----------------------------

MAIN FEATURES

Product code: PUH72000 (7/8" IN) - PUHX2000 (7-16 IN)

Electrical characteristics

Frequency Range	470 - 806 MHz
Input impedance	50 OHM
Polarization	Horizontal
Gain	8.5 dBd (@ 650 MHz)
VSWR	<1.13 (Typical)
Max input Power PUH72000	2.5 (@650 MHz)
Max input Power PUHX2000	1.0 (@650 MHz)

all metal parts are ground connected

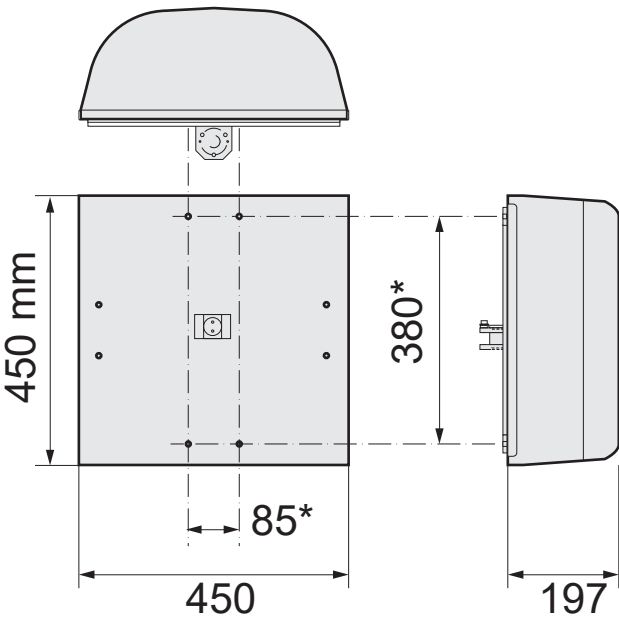
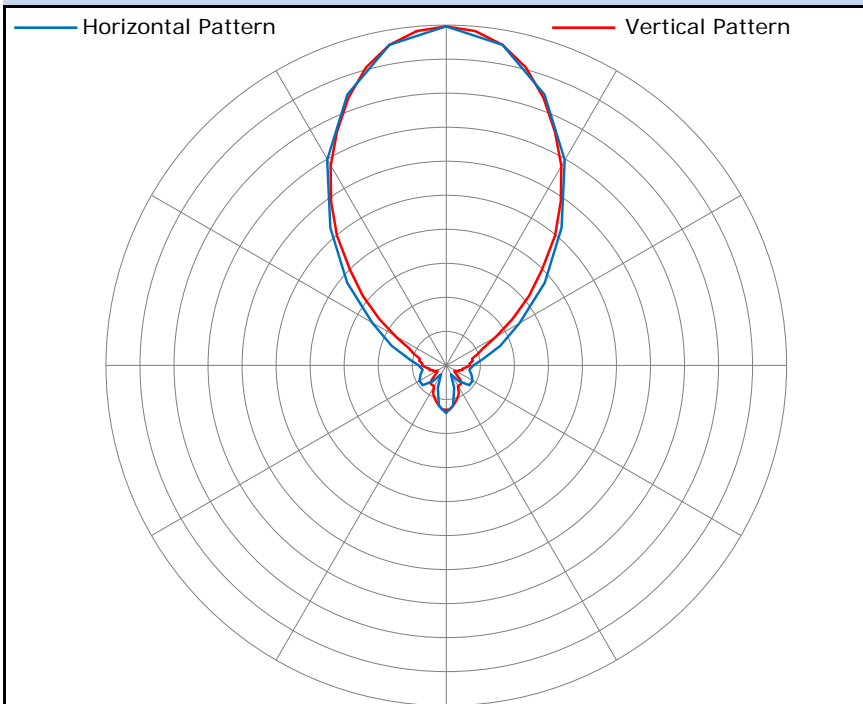
Mechanical characteristics

Input Connector PUH72000	EIA 7/8" (swivel)
Input Connector PUHX2000	DIN 7-16 female
Weight/Mass	73.5 N (7.5 Kg 16.5 lbs)
Wind loads (wind=160 Kph)	270 N (Front thrust) 129 N (Side thrust)
Max Wind (survival)	200 Kph
Operating temperature	-50°C to +60°C
Pressurization (NOT for 7-16 input version)	100 KPa (1 Atm)
Mounting (Pole Brackets optional)	Tower face/Custom Mast

Materials

Back reflector	Inox Steel
Internal Lines/ Dipoles	Silver Plated Brass/Copper
Radome	Fiberglass
Hardware	Inox Steel AISI304

E/EM Radiation Patterns (Horizontal Pol.)



* M8 Fixing Holes distances