

NFV71001/NFV11001 FM Dipole

Band FM

Operative Frequency
87.5 - 108 MHz

Input: 7/8" E
1-5/8" EIAIA

MAIN FEATURES

Product code: NFV71001 (EIA 7/8") / NFV11001 (EIA 1-5/8")

Electrical characteristics

Frequency Range	87.5 - 108 MHz
Input impedance	50 OHM
Polarization	Vertical
Gain	2 dBd (@ 98 MHz)
VSWR	<1.25
Max input Power NFV71001	5.0 kW
Max input Power NFV11001	10.0 kW

all metal parts are ground connected

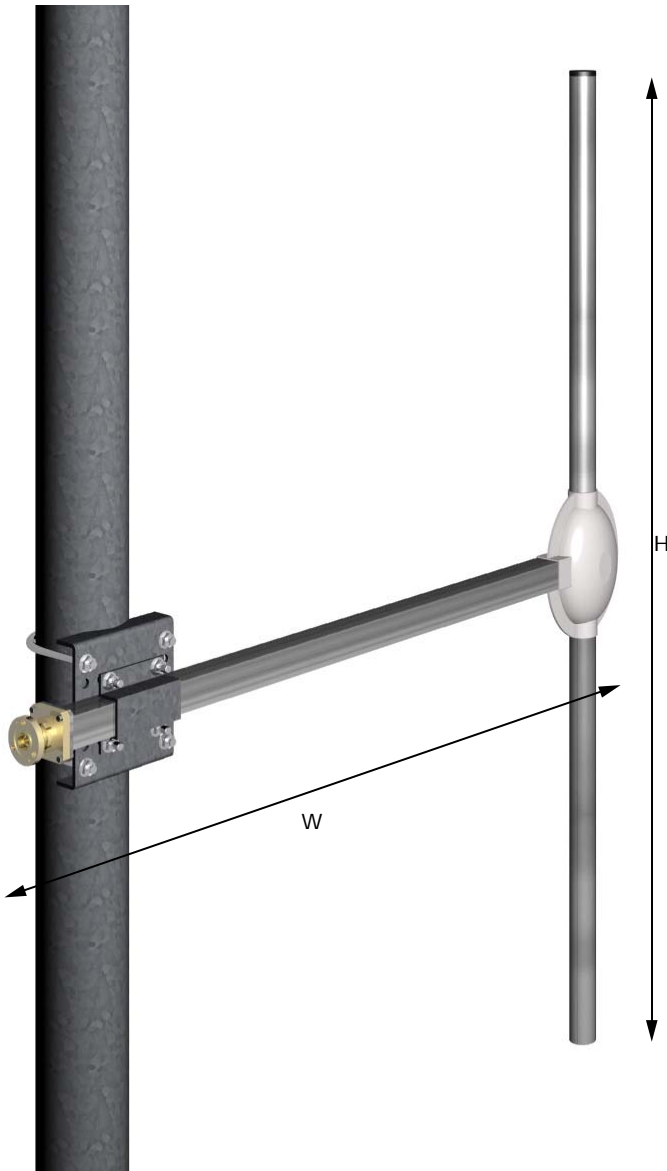
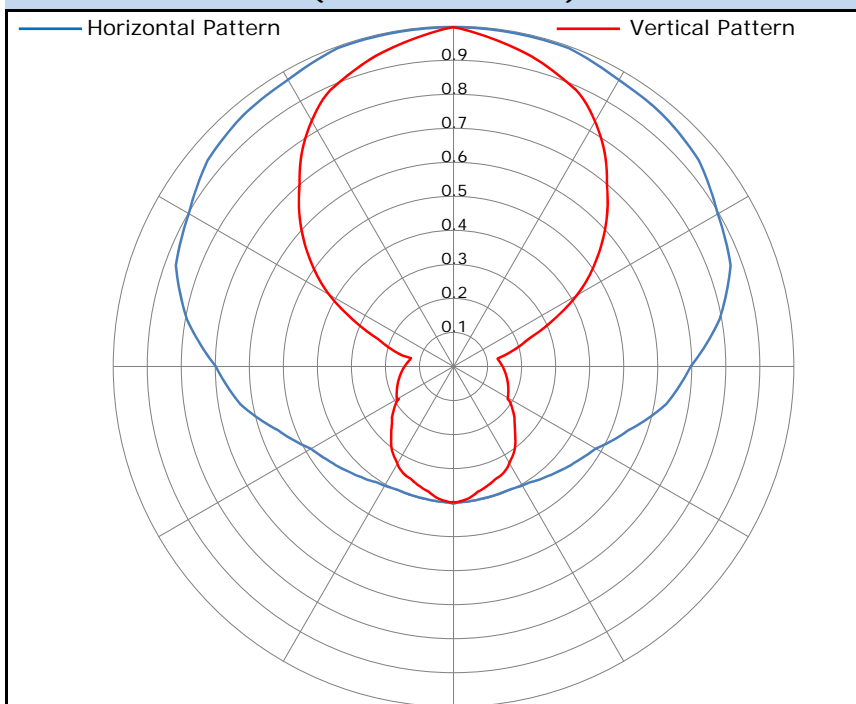
Mechanical characteristics

Input Connector NFV71001	EIA 7/8"
Input Connector NFV11001	EIA 1-5/8"
Weight/Mass NFV71001	88.2 N (9 Kg 19.8 lbs))
Wind loads (wind=160 Kph)	62 N (Front thrust) 110 N (Side thrust)
Max Wind (survival)	220 Kph
Operating temperature	-50°C to +70°C
Pressurization	100 KPa (1 Atm)
Mounting:	Pole Brackets Ø 60-114 pole

Materials

External parts/Dipoles	Inox Steel AISI304
Brackets	Hot dip galvanized steel
Internal Lines	Silver Plated Alu/Brass
Hardware	Inox Steel AISI304
Radome	Fiberglass

E/EM Radiation Patterns (Vertical Polarization)



H: 1450 mm [57.1"] W: 1110 mm [43.7"]