

YFV73001 FM 3 Elements Yagi



Broadcasting
Antennas

FM Band

Freq.
87.5 -108
MHz

Input Flange
EIA 7/8"
EIA 1-5/8" (1)

MAIN FEATURES

Product Code: YFV73001

Electrical characteristics

Frequency range	87.5 -108 MHz
Input impedance	50 ohm
Polarization	Vertical/Horizontal
Gain	4.5 dBd (@ Mid band)
VSWR	< 1.25
Max input Power	7 kW 10 kW (1)

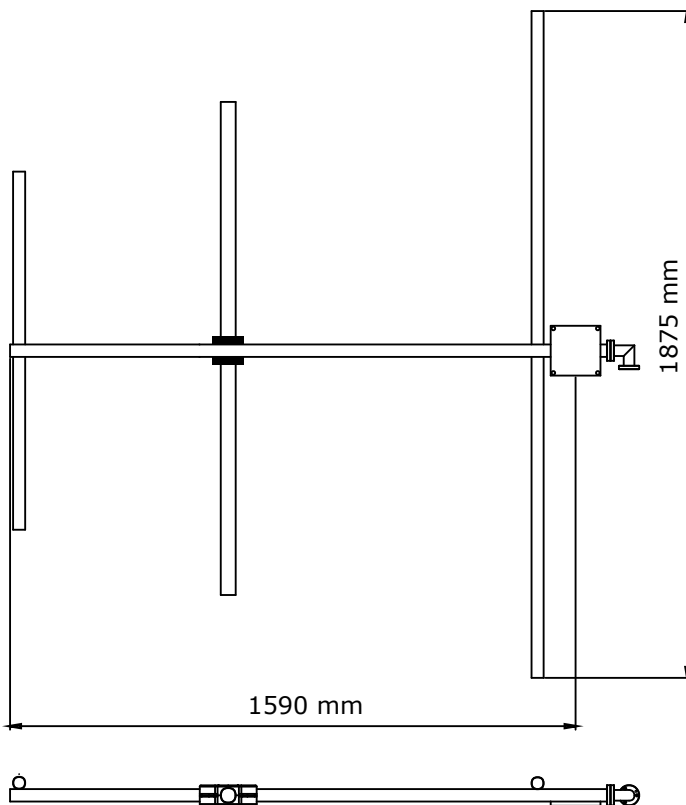
Mechanical characteristics

Input Connector	EIA 7/8" flange / 1-5/8"EIA (1)
Temperature range	-40° C / +70° C
Weight (Mass)	93 N (9.5 Kg 21 lbs)
Max wind (survival)	200 km/h
Mount	Pole Ø 50-114 mm
Wind loads (wind= 160 Km/h)	142 N (front thrust) 221 N (lateral thrust)

(1): YFV13001

Materials

External Parts	Inox Steel (Brackets: Hot dip Galvanised steel)
Insulators	Teflon
Nuts, & bolts	Inox steel AISI 304
Radome	Fiberglass



E/EM Radiation Patterns

