

YFV73001 FM 3 Elements Yagi



Broadcasting
Antennas

FM Band

Freq.
87.5 -108
MHz

Input Flange
EIA 7/8"
EIA 1-5/8" (1)

MAIN FEATURES

Product Code: YFV73001

Electrical characteristics

| | |
|-----------------|----------------------|
| Frequency range | 87.5 -108 MHz |
| Input impedance | 50 ohm |
| Polarization | Vertical/Horizontal |
| Gain | 4.5 dBd (@ Mid band) |
| VSWR | < 1.2 |
| Max input Power | 7 kW 10 kW (1) |

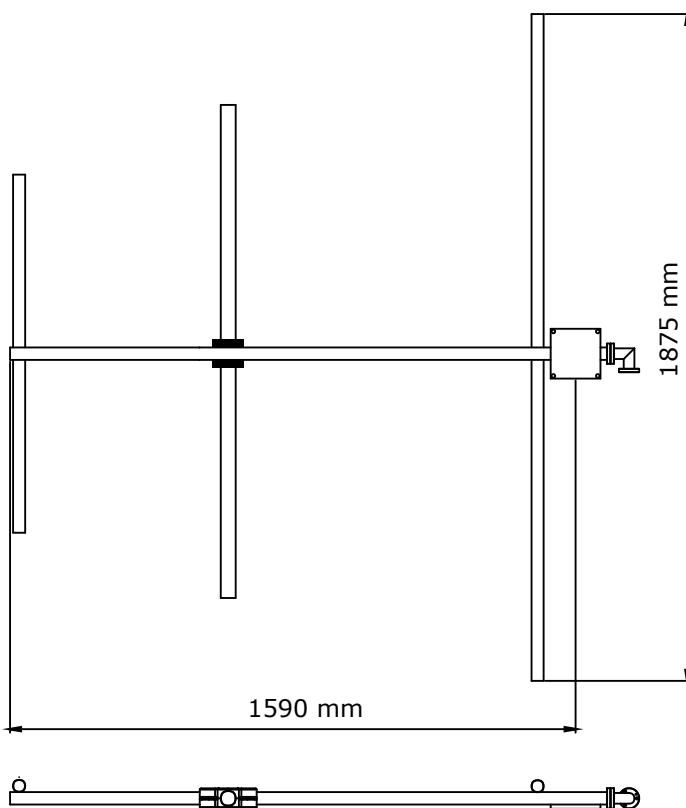
Mechanical characteristics

| | |
|-----------------------------|--|
| Input Connector | EIA 7/8" flange / 1-5/8"EIA (1) |
| Temperature range | -40° C / +70° C |
| Weight (Mass) | 93 N (9.5 Kg 21 lbs) |
| Max wind (survival) | 200 km/h |
| Mount | Pole Ø 50-114 mm |
| Wind loads (wind= 160 Km/h) | 142 N (front thrust) 221 N (lateral thrust) |

(1): YFV13001

Materials

| | |
|---------------------------|--------------------------|
| External Parts | Hot Dip Galvanized Steel |
| Inner lines / Connections | Silver Plated Alu/Brass |
| Nuts, & bolts | inox steel AISI 304 |



E/EM Radiation Patterns

