

YVV75001 & YVV75002 VHF DAB 5 Element Yagi



Broadcasting
Antennas

DAB

Freq.
174-200 MHz

Input Flange
EIA 7/8"

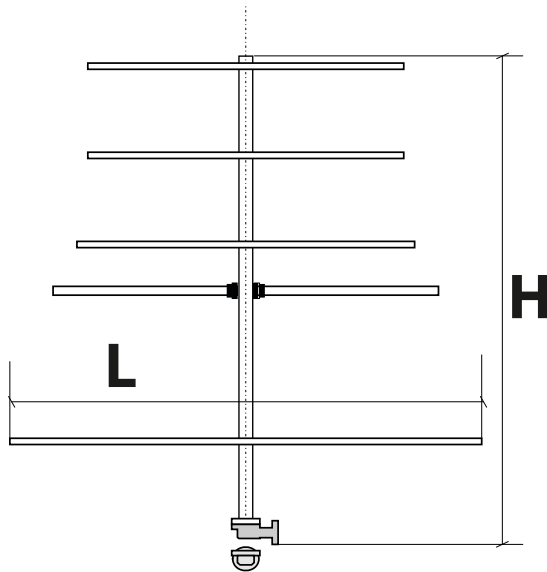
MAIN FEATURES

Product Code: YVV75001

Electrical characteristics	YVV75001	YVV75002
Frequency range	174-200 MHz	200- 240 MHz
Input impedance	50 ohm	
Polarization	Vertical/Horizontal	
Gain	6 dBd	
VSWR	<1.22	
Max input Power	2 kW	

Mechanical characteristics

Input Connector	EIA 7/8"	
Temperature range	-40° C - +70° C	
Weight	36.3 N	30.4 N
Mass Kg (lbs)	3.7 (8.2)	3.1 (6.8)
Max wind (survival)	200 km/h	
Mount	Pole Ø 50-114 mm	
Wind loads (wind= 160 Km/h)		
(front thrust)	155 N	130 N
(lateral thrust)	388 N	335 N



	174-200 MHz	200-240 MHz
L	956 mm	772 mm
H	1190 mm	910 mm

Materials

External Parts	inox steel AISI 304
Inner lines / Connections	Copper/Brass
Nuts, & bolts	inox steel AISI 304

E/EM Radiation Patterns

